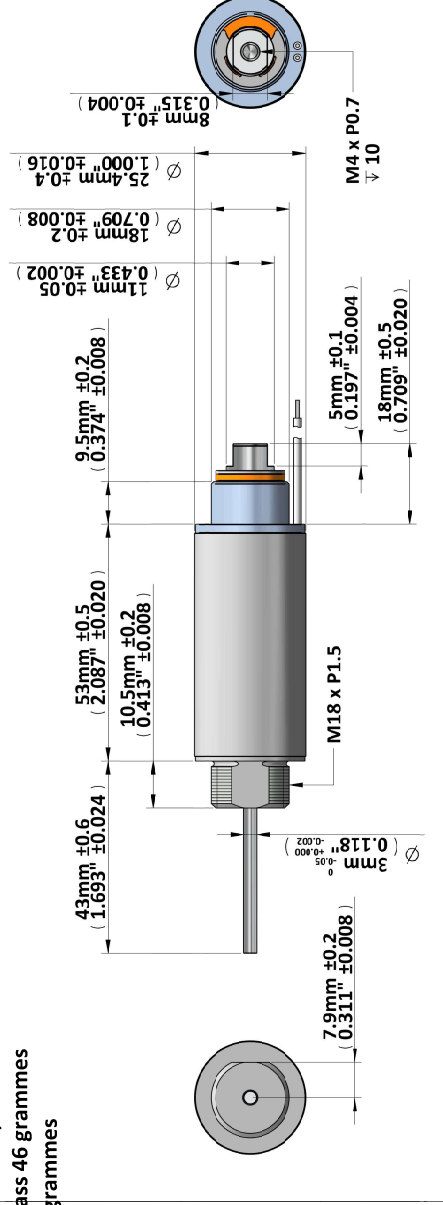


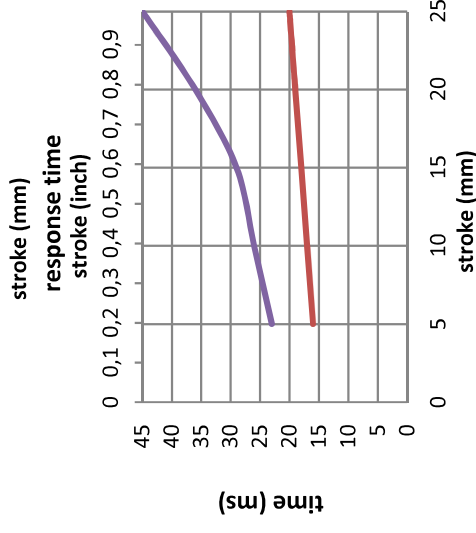
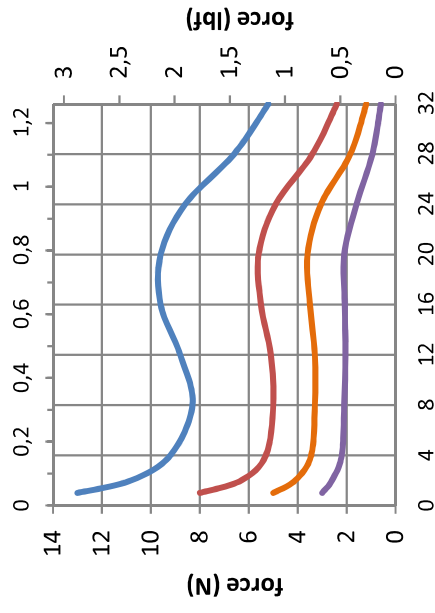


Super Stroke Solenoid M250SS-XXv

Device drawn in energised condition
 Life Expectancy >2M cycles
 Leadwires UL1430, 22AWG
 Plunger Mass 46 grammes
 Mass 200 grammes



force / stroke M250SS



duty cycle = "on" time "on" time + "off" time	x 100%	100% cont.	50% or less	25% or less	10% or less	volts DC			
						number of turns	resistance $\Omega \pm 10\%$ (at 20°C)	resistance $\Omega \pm 10\%$ (at 20°C)	number of turns
Max. "on" time in seconds		∞	290	26	6				
watts at 20°C		8,5	17	34	85				
ampere-turns at 20°		983	1390	1966	3109				
AWG no.									
M250SS-12v	17	1392	17,0	24,0	38,0				
M250SS-24v	66	2686	34,0	48,0	76,0				
M250SS-48v	260	5380	68,0	96,0	152,0				
M250SS-96v	1170	11400	136,0	192	304				

Insulation Resistance >100M Ω , 500VDC Megger
 Class E (120°C) insulation class
 Dielectric Strength 1000VAC, 50/60Hz, 1 minute

Geeplus reserves the right to change specifications without notice
www.geeplus.com