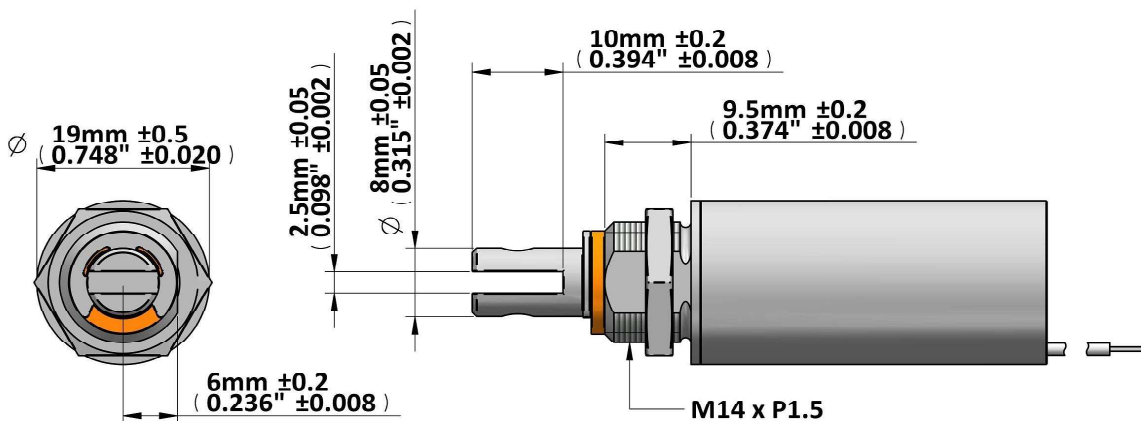
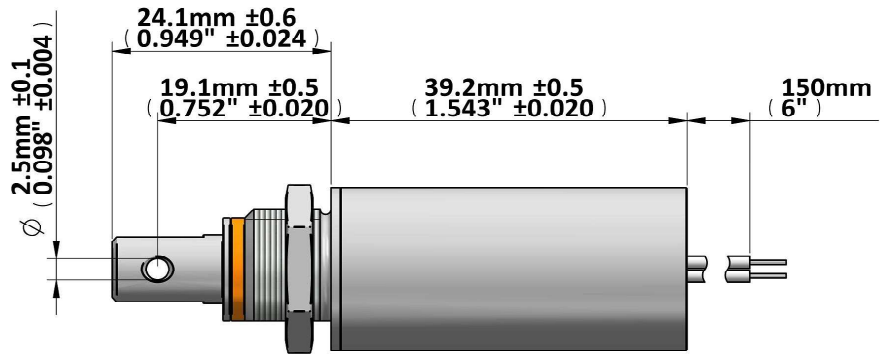




GEEPLUS

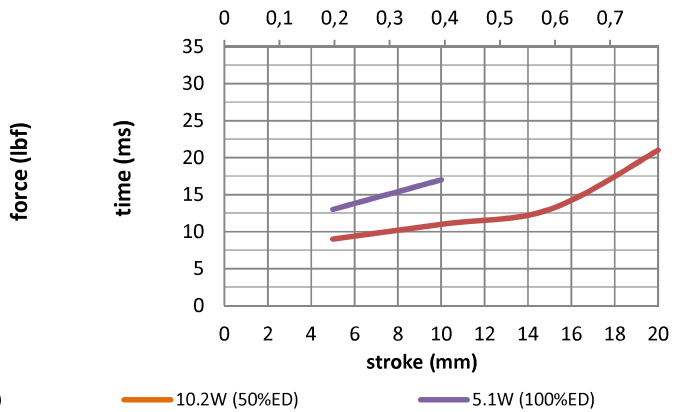
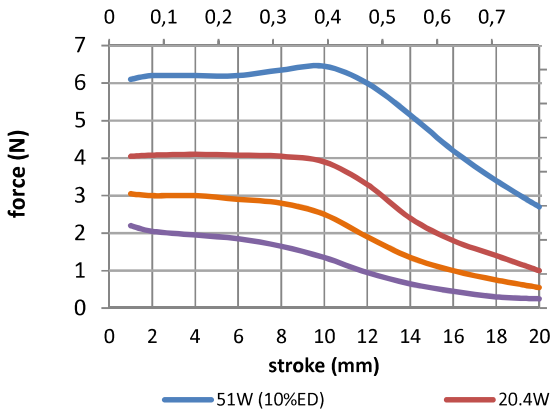
Super Stroke Solenoid M190SS-XXv

Device drawn in energised condition
 Life Expectancy >2M cycles
 Leadwires UL1430, 22AWG
 Plunger Mass 20 grammes
 Mass 81 grammes



force / stroke M190SS
stroke (inch)

response time
stroke (inch)



Data at 20°C, device performance measured without heat sink

duty cycle = $\frac{\text{"on" time}}{\text{"on" time} + \text{"off" time}} \times 100\%$		100% cont.	50% or less	25% or less	10% or less	
Max. "on" time in seconds		∞	180	20	5	
watts at 20°C		5,1	10,2	20,4	51	
ampere-turns at 20°		646	914	1292	2043	
AWG no.	resistance	number of turns	volts DC			
	$\Omega \pm 10\%$ (at 20°C)					
M190SS-12v	30,9	1722	12,0	17,0	24,0	38,0
M190SS-24v	110	3060	24,0	34,0	48,0	76,0
M190SS-48v	435	6214	48,0	68,0	96,0	152,0
M190SS-96v	1815	12210	96,0	136,0	192	304

Insulation Resistance >100MΩ, 500VDC Megger

Dielectric Strength 1000VAC, 50/60Hz, 1 minute

Class E (120°C) insulation class

Geeplus reserves the right to change specifications without notice

www.geeplus.com