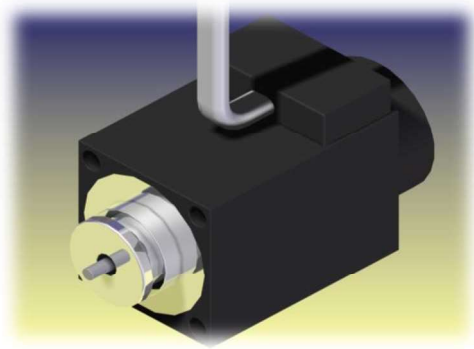
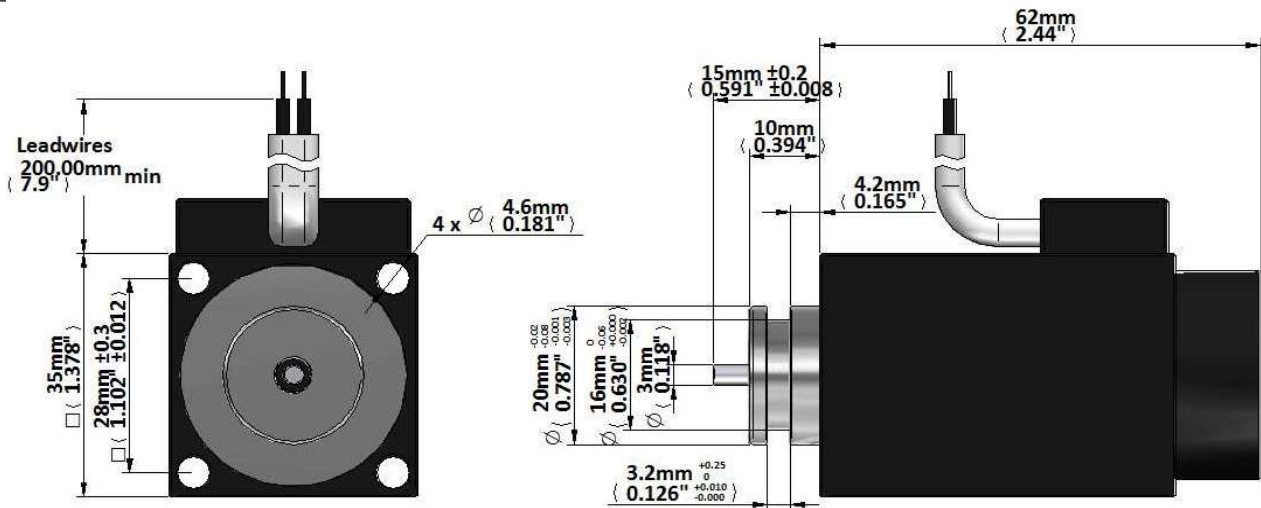


Specifications

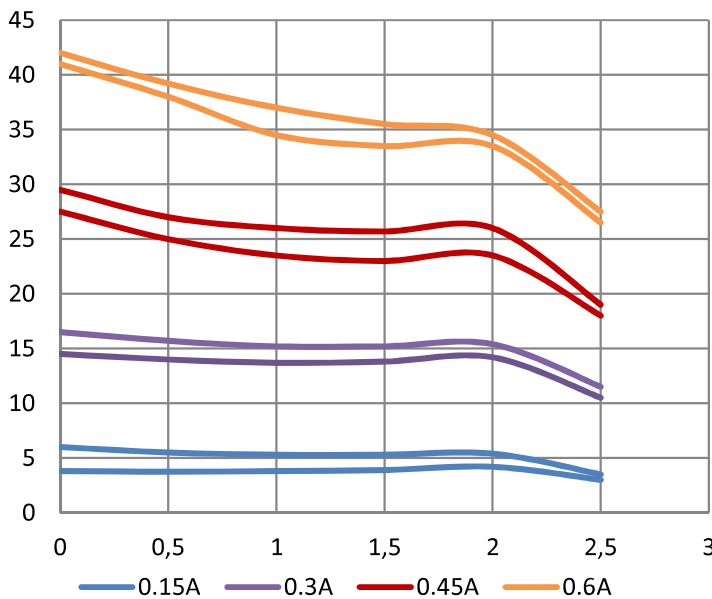
| Parameter | Value |
|-----------------------|---------------------|
| Rated Voltage | 24 Volts |
| Current | 0.6 Amps Max |
| Resistance | 22 Ω |
| Nominal Power | 7.9 Watts |
| Insulation Class | Class F (155°C) |
| Rated Pressure | 0.35 MPa / 50PSI |
| Burst Pressure | 1.03MPa / 150PSI |
| Dielectric Strength | AC 1000 V, 1 minute |
| Insulation Resistance | >100MΩ @ DC 500V |



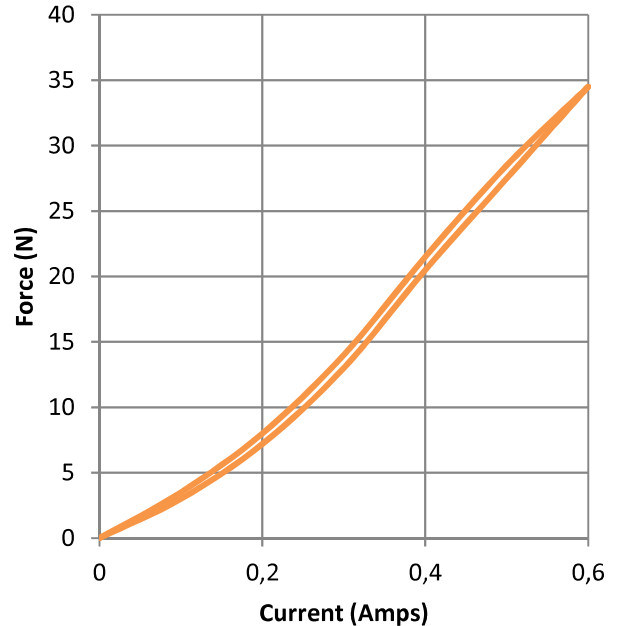
This device is designed for hydraulic application and does not have corrosion protection of internal surfaces as standard



Force (N) vs Displacement (mm)



Hysteresis @ Stroke 1mm (.04")



Geeplus reserves the right to change specifications without notice

www.geeplus.com