

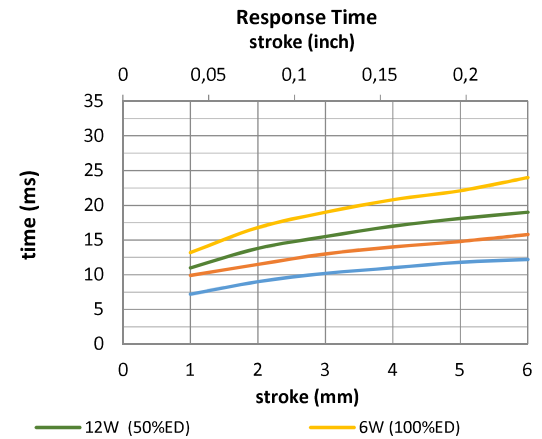
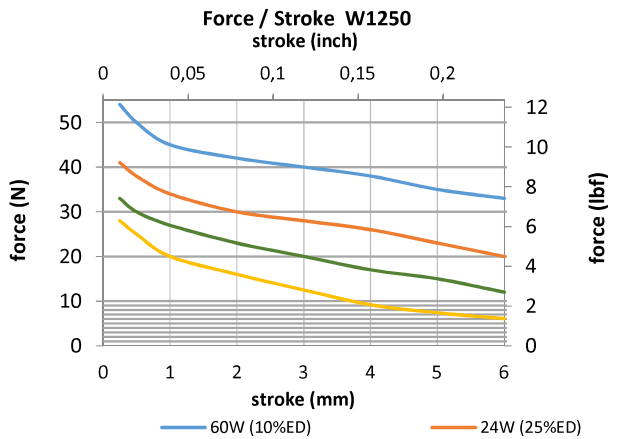
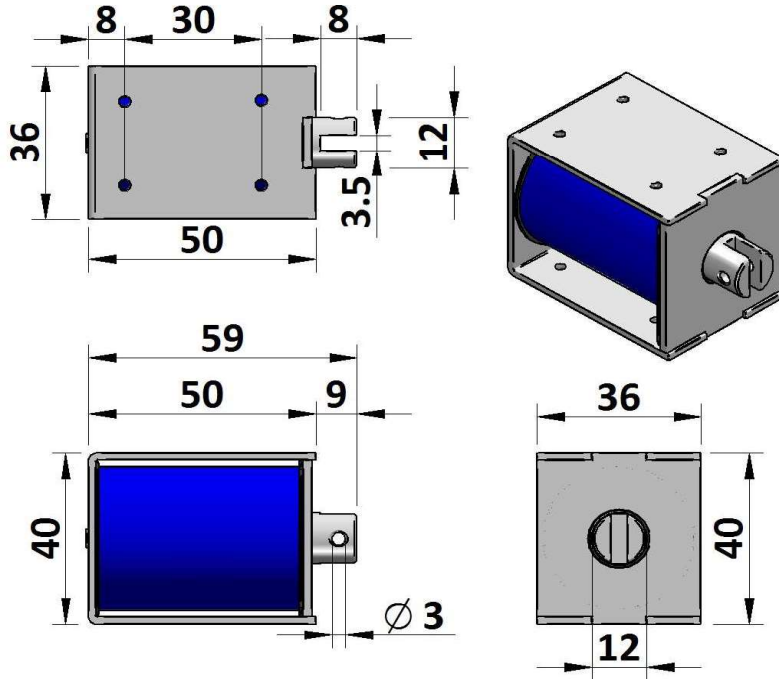


GEEPLUS

Open Frame Solenoid SK-W1250

Device drawn in energised condition
 Life Expectancy >250K cycles
 Leadwires UL1007, 26AWG, 250mm

Plunger Mass 40grammes
 Total Mass 362grammes



Data at 20°C, device performance measured without heat sink

| duty cycle = $\frac{\text{"on" time}}{\text{"on" time} + \text{"off" time}} \times 100\%$ | | | 100% cont. | 50% or less | 25% or less | 10% or less |
|---|-------------------------------|--------------------|---------------|----------------|----------------|----------------|
| Max. "on" time in seconds | | | ∞ | 140 | 50 | 9 |
| watts at 20°C | | | 6,0 | 12,0 | 24,0 | 60,0 |
| ampere-turns at 20° | | | 1150 | 1626 | 2300 | 3636 |
| AWG no. | resistance Ω±10% (at 20°C) | number of turns | volts DC | | | |
| SK-W1250-6v | 6 | 1100 | 6,0 | 8,5 | 12,0 | 19,0 |
| SK-W1250-12v | 24 | 2370 | 12,0 | 17,0 | 24,0 | 38,0 |
| SK-W1250-24v | 96 | 4600 | 24,0 | 34,0 | 48,0 | 76,0 |
| SK-W1250-48v | 384 | 8640 | 48,0 | 68,0 | 96,0 | 152 |

Insulation Resistance >100MΩ, 500VDC Megger

Dielectric Strength 500VAC, 50/60Hz, 1 minute

Class A (105°C) insulation class

Geeplus reserves the right to change specifications without notice

www.geeplus.com