

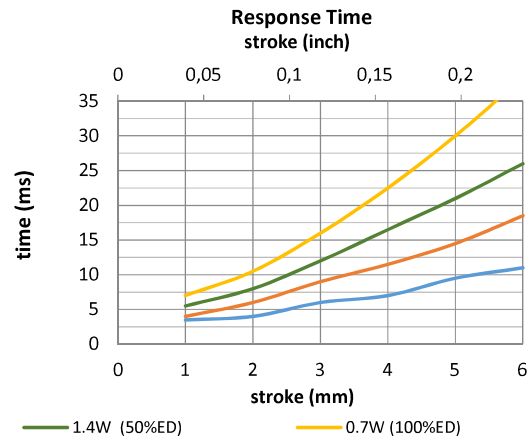
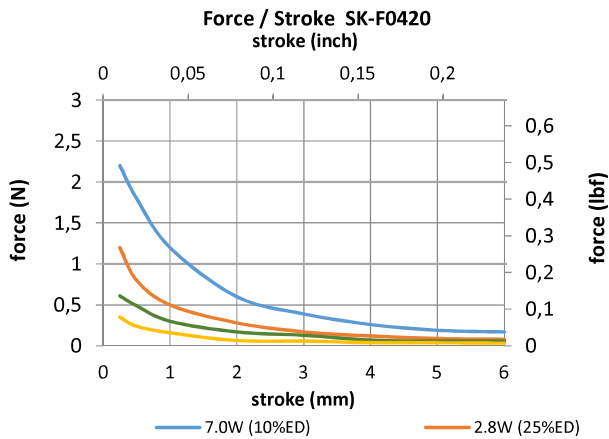
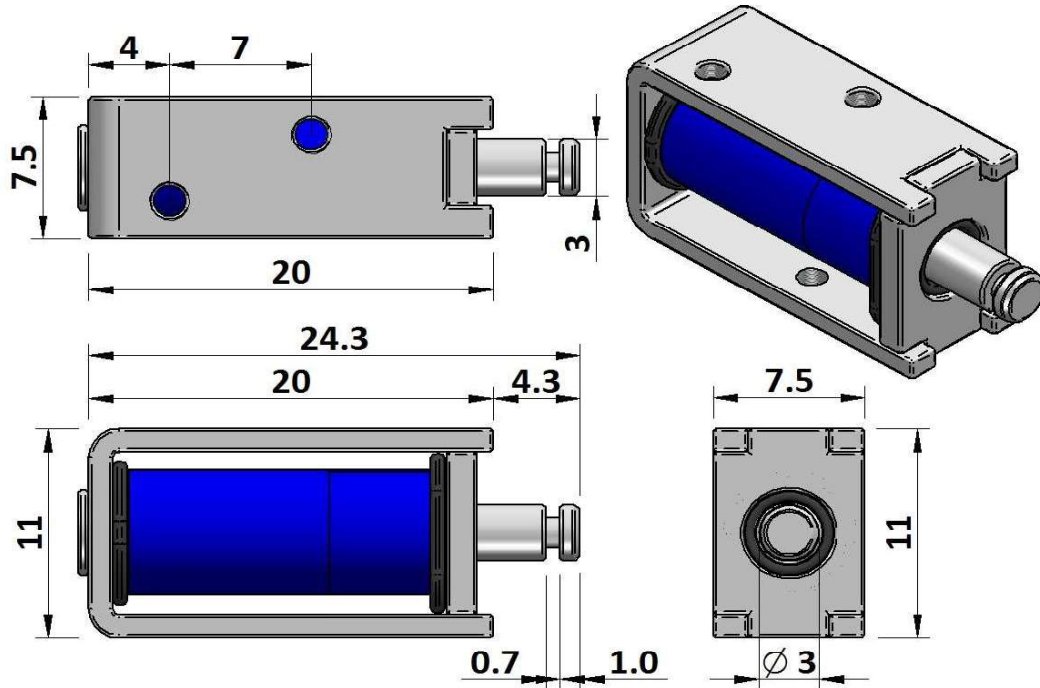


**GEEPLUS**

## Open Frame Solenoid SK-F0420

Device drawn in energised condition  
 Life Expectancy >250K cycles  
 Leadwires UL1571, 28AWG, 240mm

Plunger Mass 2 grammes  
 Total Mass 8 grammes



Data at 20°C, device performance measured without heat sink

duty cycle = $\frac{\text{"on" time}}{\text{"on" time} + \text{"off" time}} \times 100\%$			100% cont.	50% or less	25% or less	10% or less
Max. "on" time in seconds			∞	50	18	2
watts at 20°C			0,7	1,4	2,8	7,0
ampere-turns at 20°			119	168	238	376
AWG no.	resistance	number of turns	volts DC			
	$\Omega \pm 10\%$ (at 20°C)					
SK-F0420-6v	51	1100	6,0	8,5	12,0	19,0
SK-F0420-12v	205	2120	12,0	17,0	24,0	38,0
SK-F0420-24v	823	4100	24,0	34,0	48,0	76,0
SK-F0420-48v	3291	8100	48,0	68,0	96,0	152

Insulation Resistance >100MΩ, 500VDC Megger

Dielectric Strength 500VAC, 50/60Hz, 1 minute

Class A (105°C) insulation class

Geeplus reserves the right to change specifications without notice

[www.geeplus.com](http://www.geeplus.com)