



GEEPLUS

T1L-1037-xxV

Duty Cycle =  $\frac{\text{"on" time}}{\text{"on" time} + \text{"off" time}} \times 100\%$  25% ED

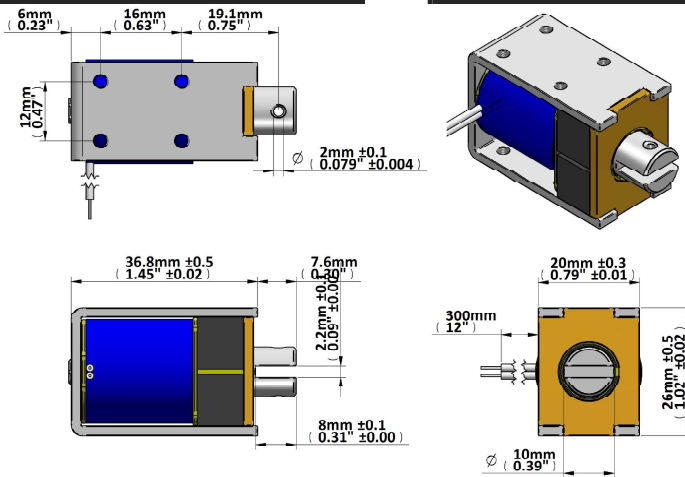
**Coil Data**

Maximum "on" time in seconds	7
Watts at 20°C	12
Ampere-Turns at 20°C	675

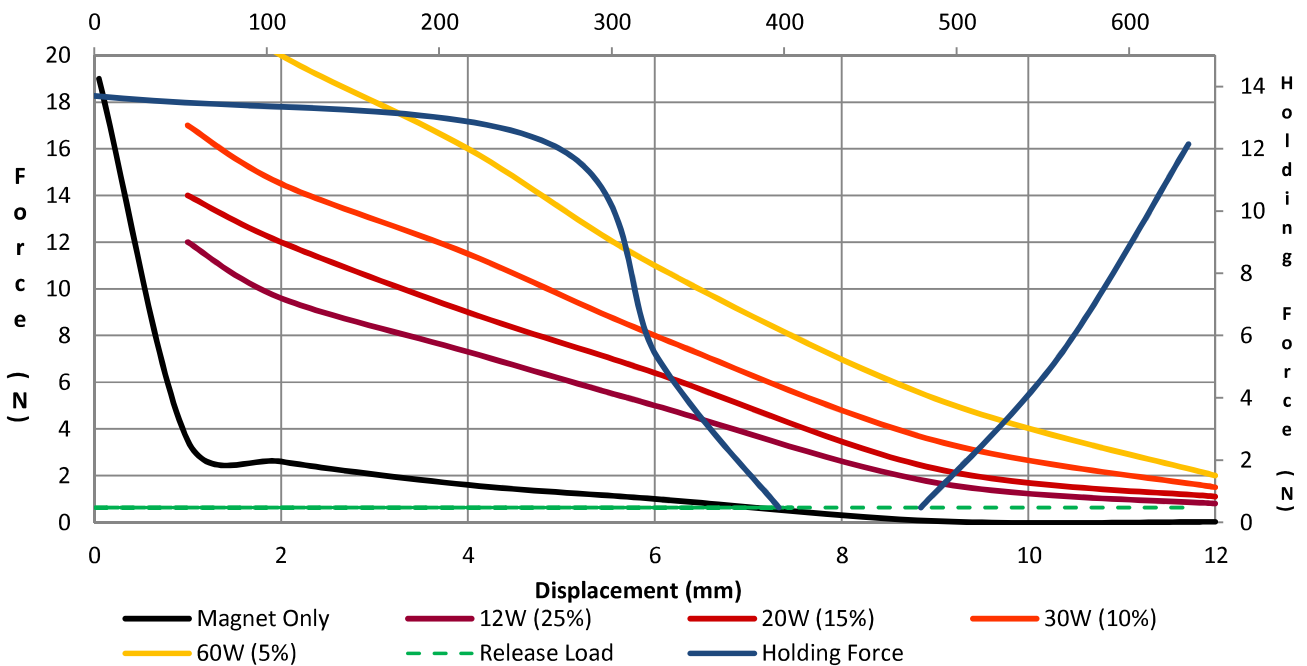
P/N	Resistance ±10% @ 20°C	Coil Turns	Volts DC	Release Current
T1L-1037-6v	3.0 Ω	333	6	2000 mA
T1L-1037-12v	12.0 Ω	680	12	1000 mA
T1L-1037-24v	48.0 Ω	1350	24	500 mA

**General Parameters**

Life Expectancy (Cycles)	200 000
Mass	95.0 grammes
Plunger Mass	18.25 grammes
Leadwires 250mm (10")min, UL1007, AWG26	
Isolation Class	A (105°C)
Dielectric Strength 1000V AC, 50/60Hz, 1min	
Insulation Res >100MΩ, 500V DC Megger	



**Force (N) vs Displacement (mm) & Release Characteristic**  
Release Excitation (A-t)



Geeplus reserves the right to change specifications without notice  
www.geeplus.com