



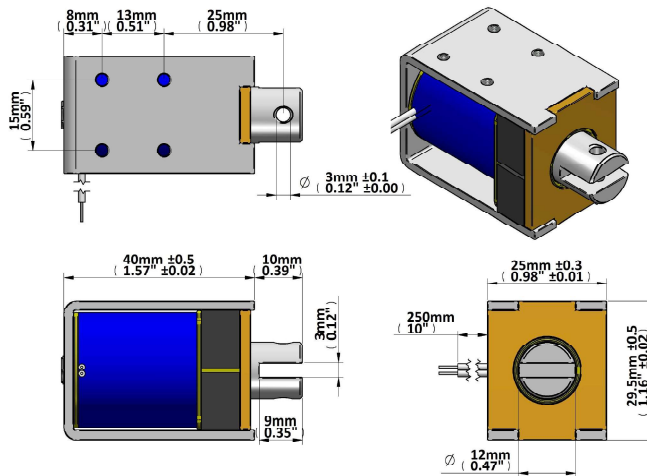
$$\text{Duty Cycle} = \frac{\text{"on" time}}{\text{"on" time} + \text{"off" time}} \times 100\% \quad 25\% \text{ ED}$$

P/N	Coil Data				
	Resistance $\pm 10\%$ @ 20°C	Coil Turns	Volts DC	Release Current	
	SH1LC-1240-06	2.0 Ω	320	6	1620 mA
	SH1LC-1240-12	7.8 Ω	630	12	820 mA
SH1LC-1240-24	31.3 Ω	1315	24	400 mA	

Maximum "on" time in seconds: 20
 Watts at 20°C: 18,4
 Ampere-Turns at 20°C: 979

General Parameters

Life Expectancy (Cycles)	200 000
Mass	145 grammes
Plunger Mass	33.73 grammes
Leadwires 250mm (10")min, UL1007, AWG24	
Isolation Class	A (105°C)
Dielectric Strength 1000V AC, 50/60Hz, 1min	
Insulation Res >100M Ω , 500V DC Megger	



Force (N) vs Displacement (mm) & Release Characteristic
 Release Excitation (A-t)

