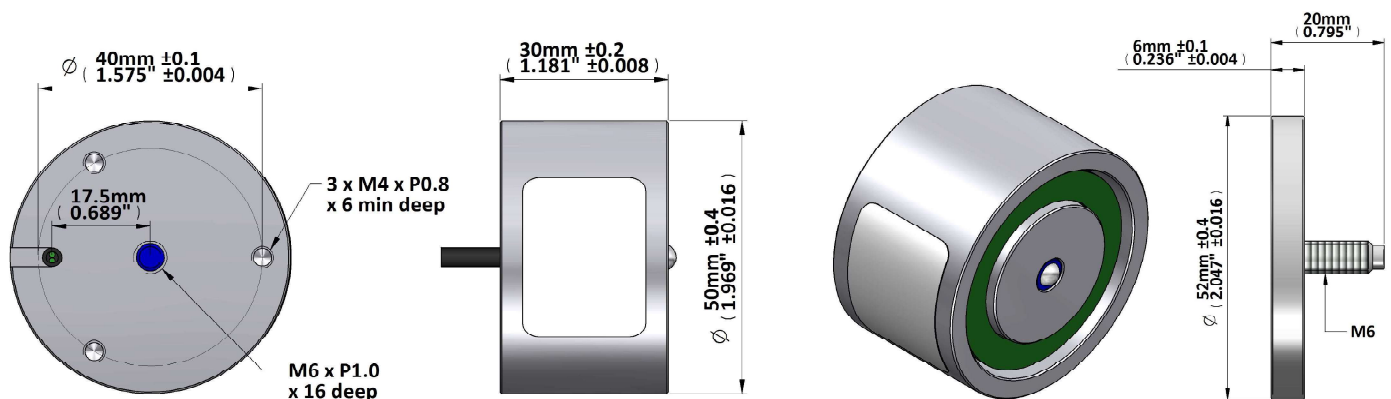


General Specifications

| | |
|---|-----------------|
| Insulation Class | Class A (105°C) |
| Insulation Resistance >50MΩ, 500V DC | |
| Dielectric Strength 500V AC, 50/60 Hz, 1 minute | |

| Mass |
|--------|
| EM0050 |
| 0.00kg |
| AP52 |
| 0.00kg |

| Part Number | Coil Resistance | Voltage | Included Options |
|-------------|-----------------|---------|------------------|
| EM0050-12 | 32 Ω | 12 V | |
| EM0050-24 | 130 Ω | 24 V | |
| EME0050-12 | 32 Ω | 12 V | Ejector Pin |
| EME0050-24 | 130 Ω | 24 V | Ejector Pin |



Holding Force Data

| Separation (Airgap) | 0.00 mm | 0.00 mm | 0.00 mm | 0.00 mm | 0.01 mm | 0.01 mm |
|---------------------|---------|---------|---------|---------|---------|---------|
| 4.5W (100% ED) | 875 | 800 | 435 | 170 | 20 | 7,7 |
| 2.25W (200% ED) | 750 | 670 | 264 | 85 | 8 | 2,4 |
| 1.13W (400% ED) | 630 | 420 | 84 | 54 | 3 | |

Holding force measured at 20°C to steel plate 8mm thick with surface Ra <1μm
 100% ED Power rating results in coil temperature rise of 65°C max with good heatsinking
 Force exerted by ejector pin in fully compressed condition 10N