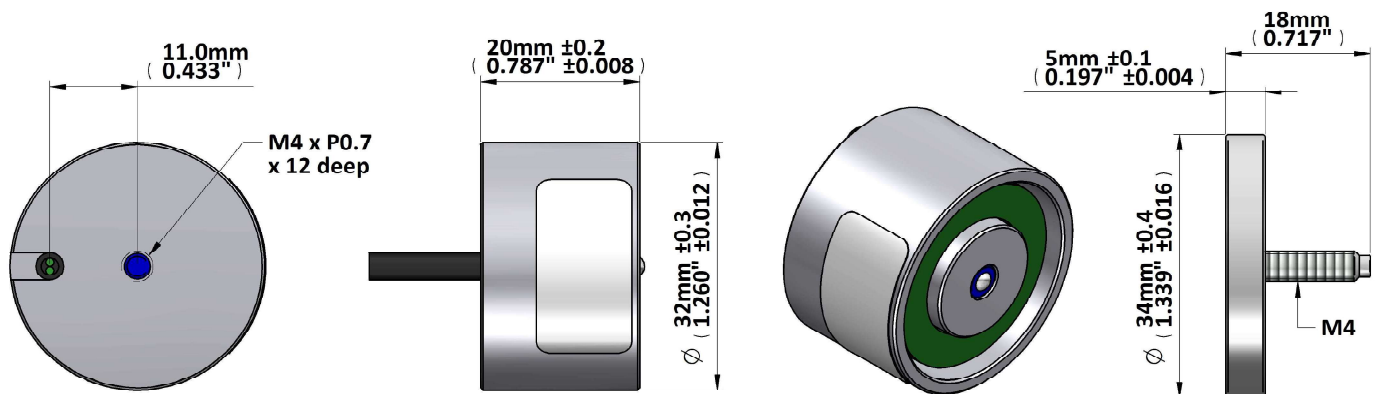


General Specifications

Insulation Class	Class A (105°C)
Insulation Resistance >50MΩ, 500V DC	
Dielectric Strength 500V AC, 50/60 Hz, 1 minute	

Mass
EM0032
95g
AP34
40g

Part Number	Coil Resistance	Voltage	Included Options
EM0032-12	48 Ω	12 V	
EM0032-24	190 Ω	24 V	
EME0032-12	48 Ω	12 V	Ejector Pin
EME0032-24	190 Ω	24 V	Ejector Pin



Holding Force Data

Separation (Airgap)	0.00 mm	0.00 mm	0.00 mm	0.00 mm	0.01 mm	0.01 mm
3W (100% ED)	170	115	97	33	2	0,8
1.5W (200% ED)	150	60	37	15		
0.75W (400% ED)	80	60	21	5		

Holding force measured at 20°C to steel plate 8mm thick with surface Ra <1μm
 100% ED Power rating results in coil temperature rise of 65°C max with good heatsinking
 Force exerted by ejector pin in fully compressed condition 5N