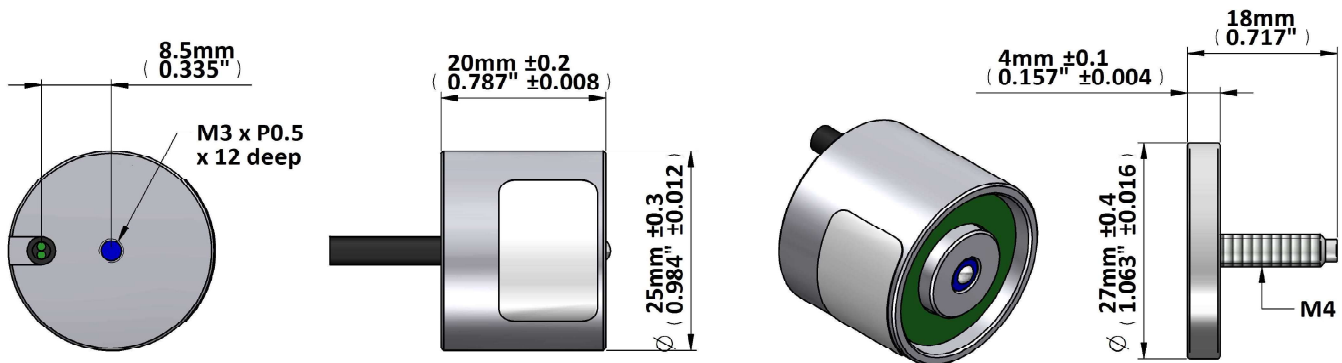


### General Specifications

Insulation Class	Class A (105°C)
Insulation Resistance >50MΩ, 500V DC	
Dielectric Strength 500V AC, 50/60 Hz, 1 minute	

Mass
EM0025
60g
AP27
20g

Part Number	Coil Resistance	Voltage	Included Options
EM0025-12	56 Ω	12 V	
EM0025-24	220 Ω	24 V	
EME0025-12	56 Ω	12 V	Ejector Pin
EME0025-24	220 Ω	24 V	Ejector Pin



### Holding Force Data

Separation (Airgap)	0.00 mm	0.00 mm	0.00 mm	0.00 mm	0.01 mm	0.01 mm
2.2W (100% ED)	110	105	40	14		
1.1W (200% ED)	85	77	18	6		
0.6W (400% ED)	80	51	5	3		

Holding force measured at 20°C to steel plate 8mm thick with surface Ra <1μm  
 100% ED Power rating results in coil temperature rise of 65°C max with good heatsinking  
 Force exerted by ejector pin in fully compressed condition 5N