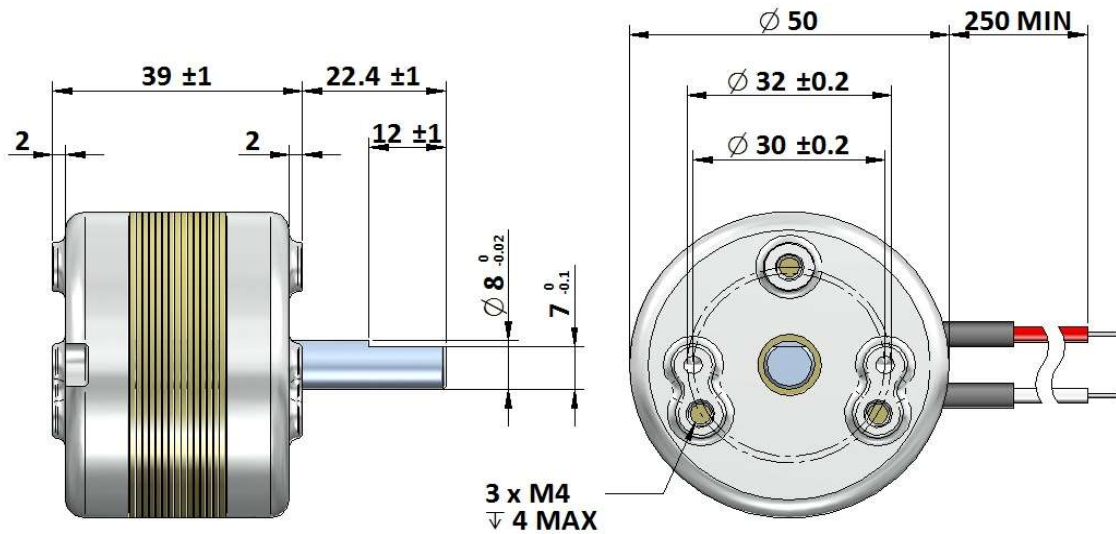




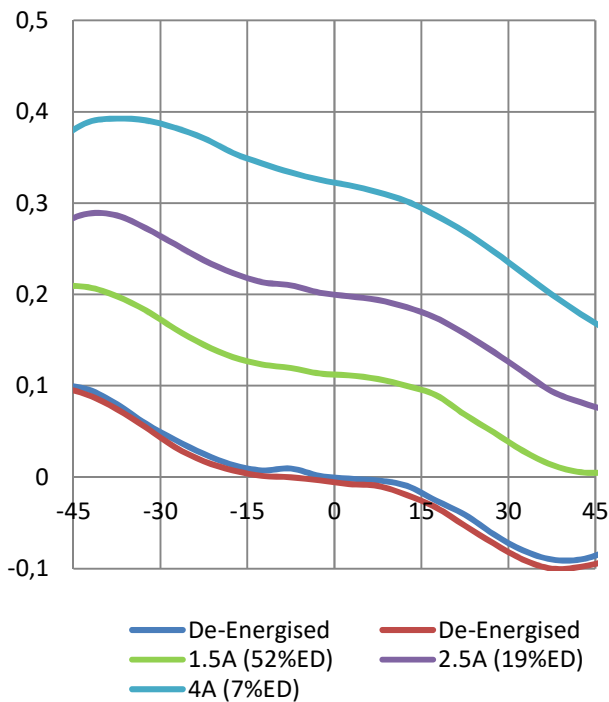
GEEPLUS

BRS50C39-6

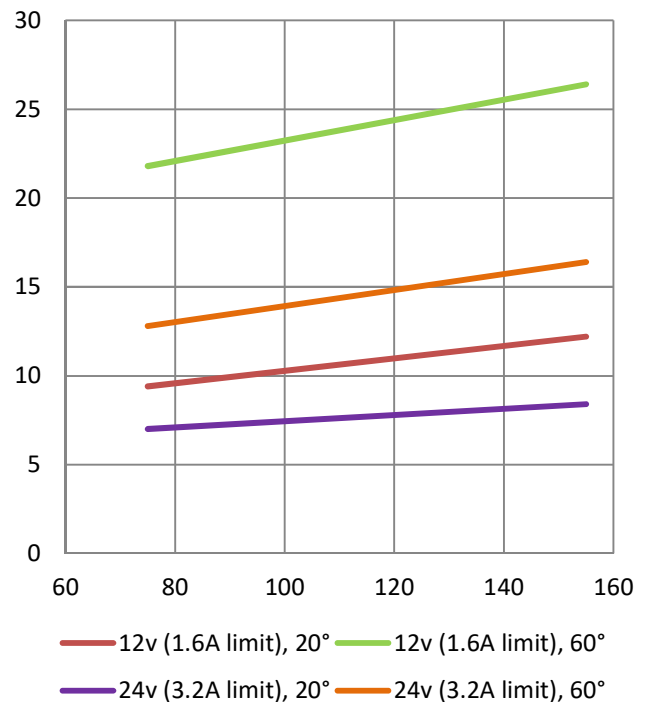
Device drawn with shaft aligned to mid position
Nominal 6Ω , 5mH for operation at 24v, 7%ED
Rotor Inertia ? gcm²
Life Expectancy >10M cycles, no load
Optimal rotation +/-15°, Mass 260 grammes
Turns CW from position shown, +ve applied to Red lead
Leadwires AWG24 stranded leads



Torque (Nm) vs Angle



Response (ms) vs Load Inertia (gcm²)



Geplus reserves the right to change specifications without notice

www.geplus.com