



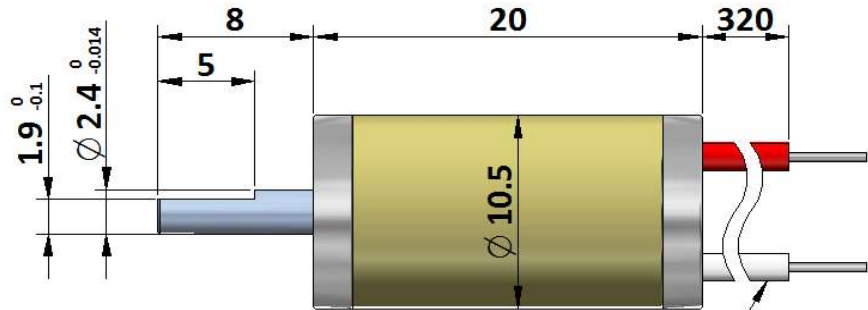
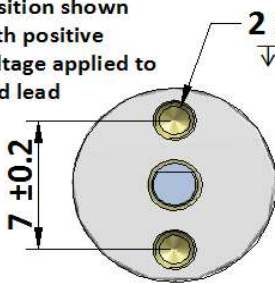
GEEPLUS

BRS1020-13

Device drawn with shaft aligned to mid position  
 Nominal  $13\Omega$ ,  $0.6\text{mH}$  for operation at  $380\text{mA}$ ,  $100\%ED$   
 Rotor Inertia  $0.017\text{gcm}^2$   
 Life Expectancy  $>10\text{M}$  cycles, no load  
 Optimal rotation  $\pm 30^\circ$ , Mass 8 grammes  
 Insulation Resistance  $>100\text{M}\Omega$ ,  $500\text{VDC}$  Megger  
 Dielectric Strength  $500\text{vAC}$ ,  $50/60\text{Hz}$ , 1 minute

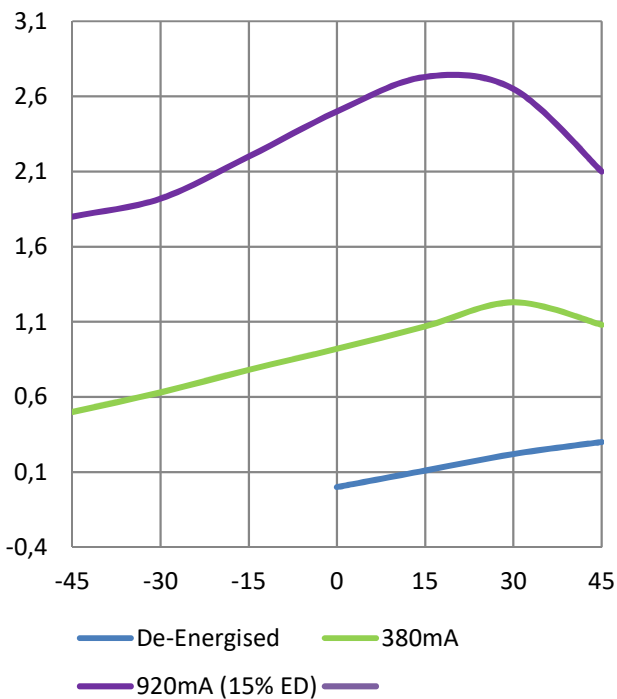


Shaft drives clockwise from position shown with positive voltage applied to Red lead

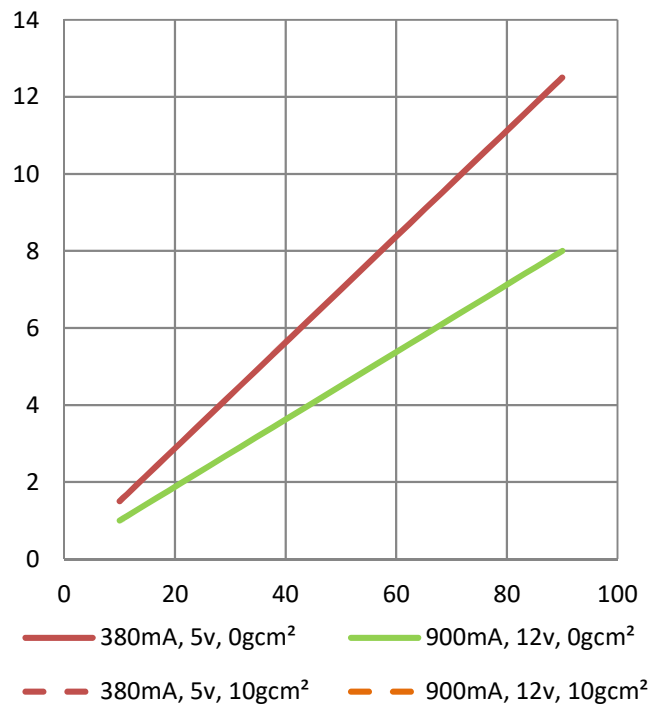


26 AWG, UL1685

Torque (mNm) vs Angle



Response (ms) vs Angle



Geeplus reserves the right to change specifications without notice

www.geeplus.com