

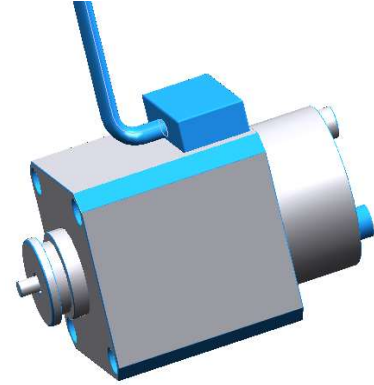


GEEPLUS

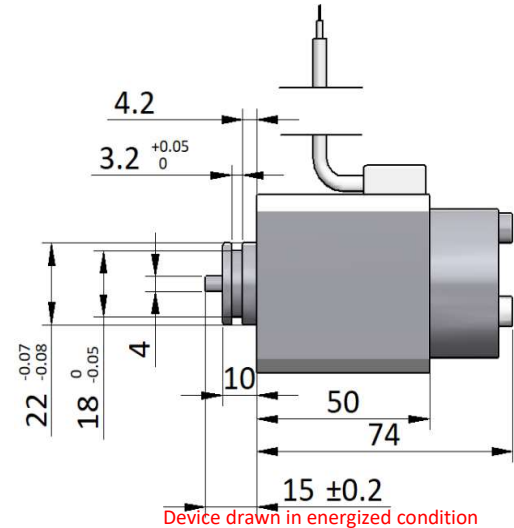
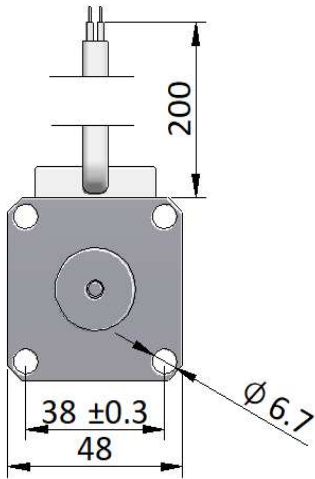
PS48S-0207

Specifications

Parameter	Value
Rated Voltage	24 Volts
Current	1.0 Amps Max
Resistance	12.8 Ω (20 ° C)
Nominal Power	12.8 Watts (20 ° C)
Insulation Class	Class F (155°C)
Rated Pressure	1.03 Mpa
Burst Pressure	3.09 Mpa
Dielectric Strength	AC 1000 V, 50/60 Hz, 1 minute
Insulation Resistance	100MΩ @ DC 500V

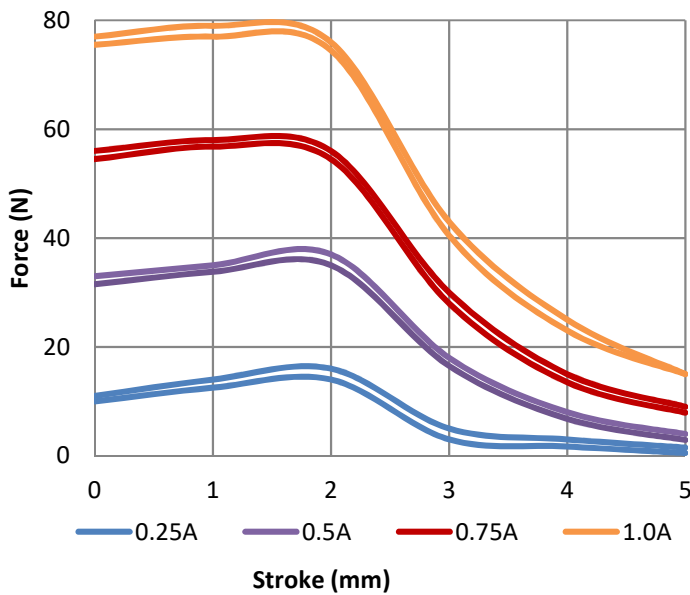


This device is designed for hydraulic application and does not have corrosion protection of internal surfaces as standard

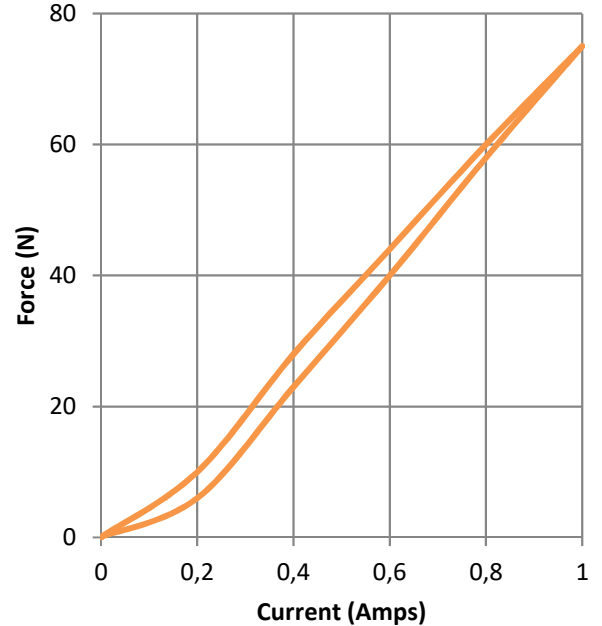


Device drawn in energized condition

Force vs Displacement



Hysteresis @ Stroke 1mm (.04")



Geeplus reserves the right to change specifications without notice

www.geeplus.com