

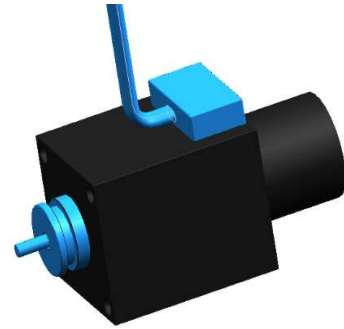


GEEPLUS

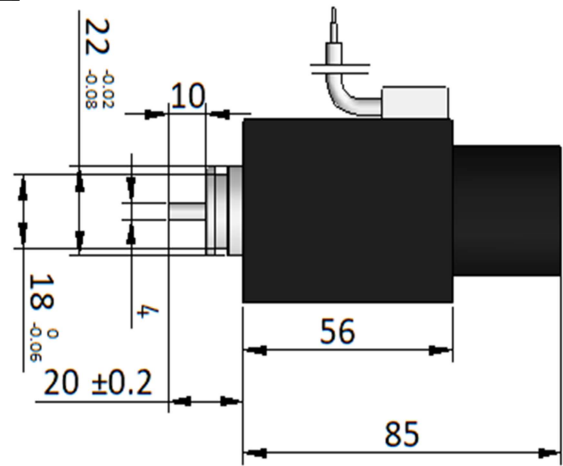
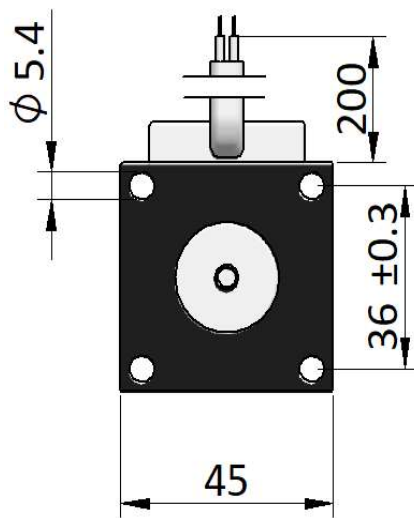
PS45S-0305

Specifications

Parameter	Value
Rated Voltage	24 Volts
Current	0.9 Amps Max
Resistance	14.7 Ω (20 ° C)
Nominal Power	11.8 Watts (20 ° C)
Insulation Class	Class F (155°C)
Rated Pressure	6.8 Mpa
Burst Pressure	20.6 Mpa
Dielectric Strength	AC 1000 V, 50/60 Hz, 1 minute
Insulation Resistance	100MΩ @ DC 500V

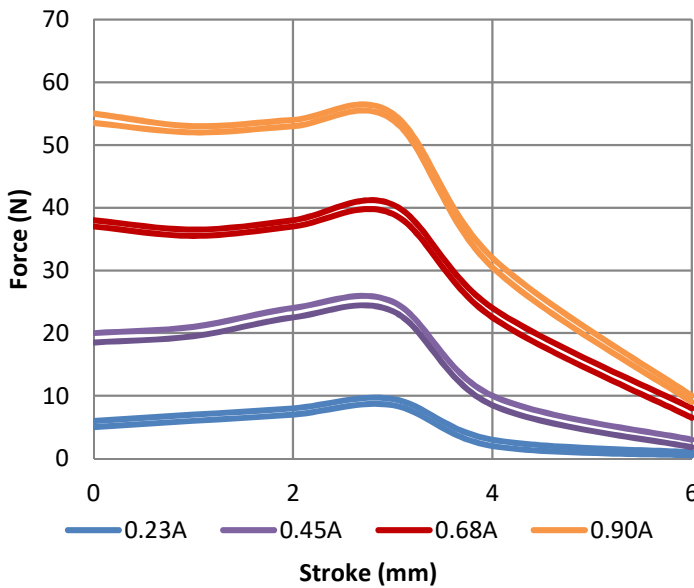


This device is designed for hydraulic application and does not have corrosion protection of internal surfaces as standard

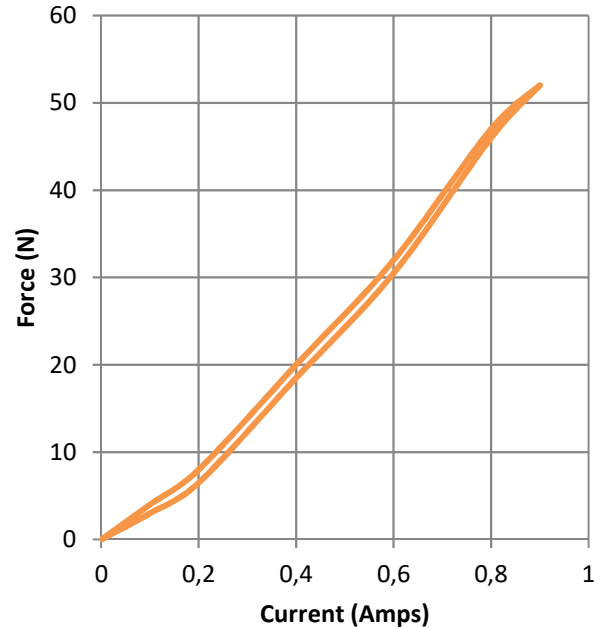


Device drawn in energized condition

Force (N) vs Displacement (mm)



Hysteresis @ Stroke 1mm (.04")



Geeplus reserves the right to change specifications without notice

www.geeplus.com