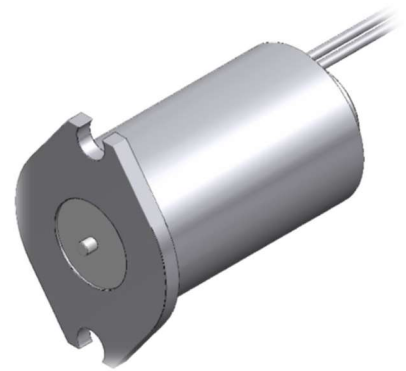




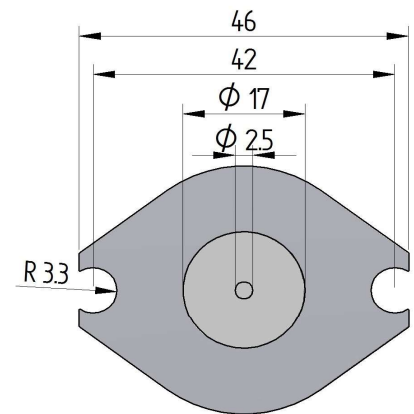
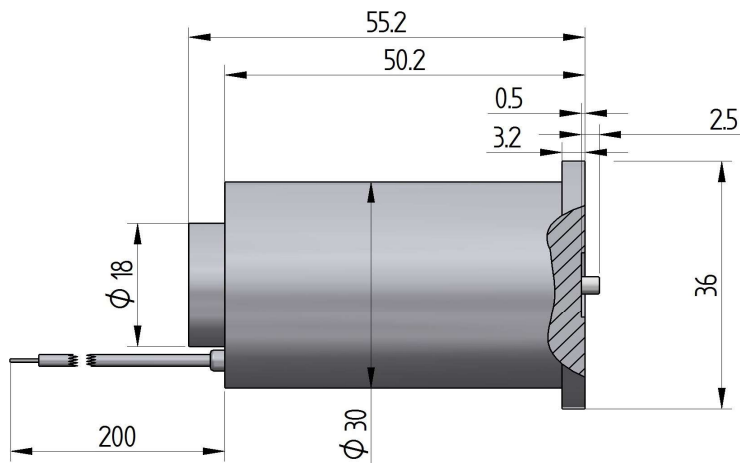
GEEPLUS

PS30C-0102

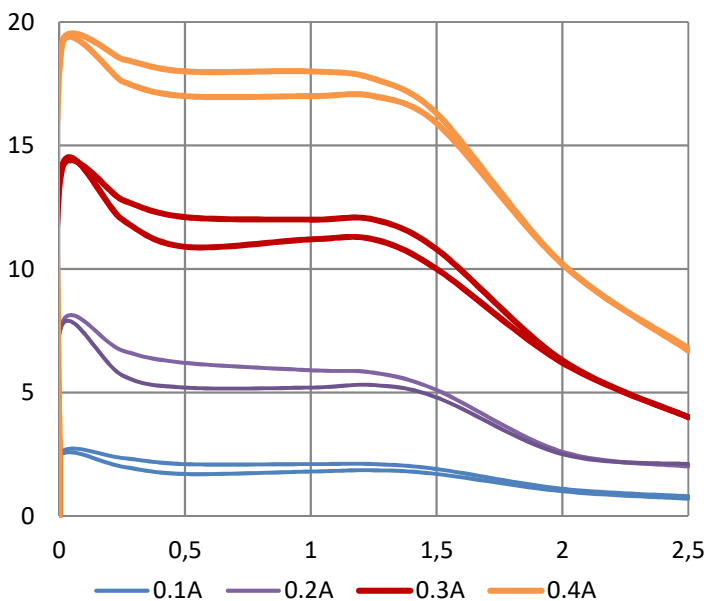
Specifications	
Parameter	Value
Rated Voltage	24 Volts
Current	0.4 (20°C)
Resistance	32 Ω
Nominal Power	5.1 Watts
Insulation Class	Class H (180°C)
Rated Pressure	1.0 Mpa
Burst Pressure	3.0 MPa
Dielectric Strength	AC 1000 V, 1 minute
Insulation Resistance	>100MΩ @ DC 500V
Mass	240g



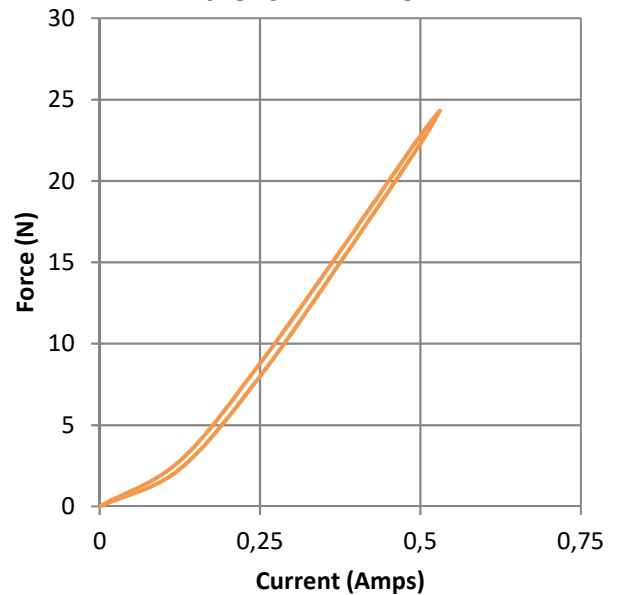
This device is designed for hydraulic application and does not have corrosion protection of internal surfaces as standard



Force (N) vs Displacement (mm)



Hysteresis @ Stroke 1mm (.04")
Dither 0.2A P-P 75Hz



Geeplus reserves the right to change specifications without notice

www.geeplus.com