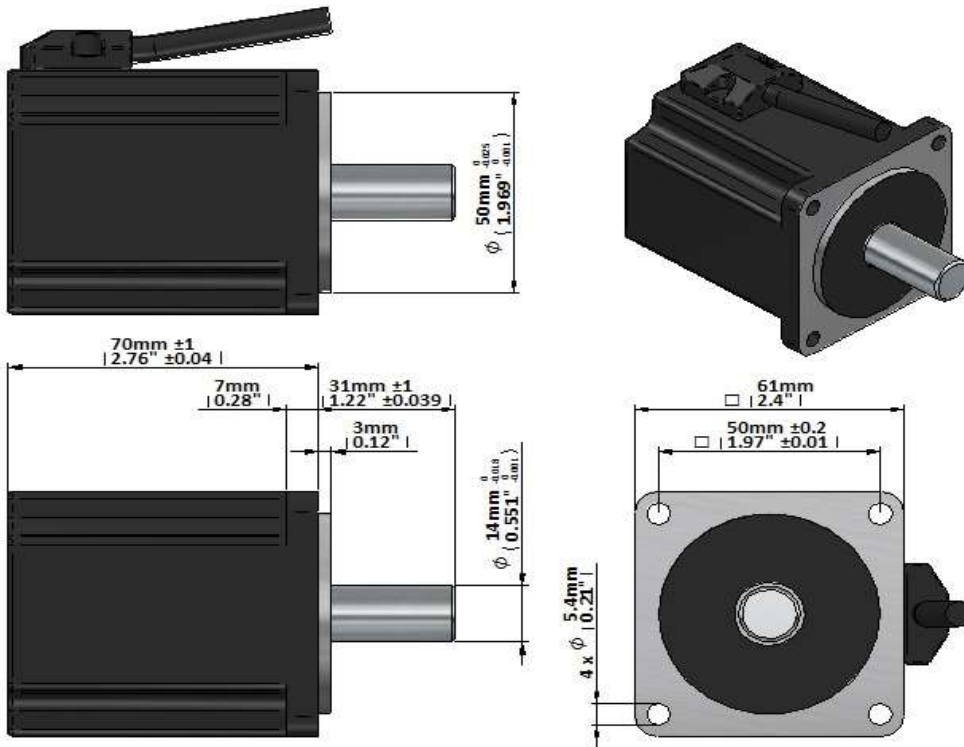




GEEPLUS

# BLDC6070



Phase Leads, 18AWG, UL1569

Hall Sensor Leads, 26AWG, UL1569

**U**

**V**

**W**

**5v**

**GND**

**A**

**B**

**C**

Red

Yellow

Black

Red

Black

Blue

Green

White

Motor Winding Option	01A		
Motor Poles	8		
Voltage (VDC)	36VDC		
No-Load Speed (RPM)	5100 ±10%		
Rated Torque (Nm)	0,3		
Rated Speed (RPM)	4000 ±10%		
Rated Current (A)	5		
Rated Power (W)	80		
Max (Stall) Torque (Nm)	1		
Back-EMF Constant (V/kRPM)	4,35		
Torque Constant (Nm/A)	0,06		
Resistance (Ω)	???		
Mass (kg)	0,9		
Shaft Runout (mm MAX)	0,025		
Insulation Class B			
Dielectric Strength 500VDC for 1min			
Ambient Temperature -20°C to +40°C			

Geeplus reserves the right to change specifications without notice

[www.geeplus.com](http://www.geeplus.com)