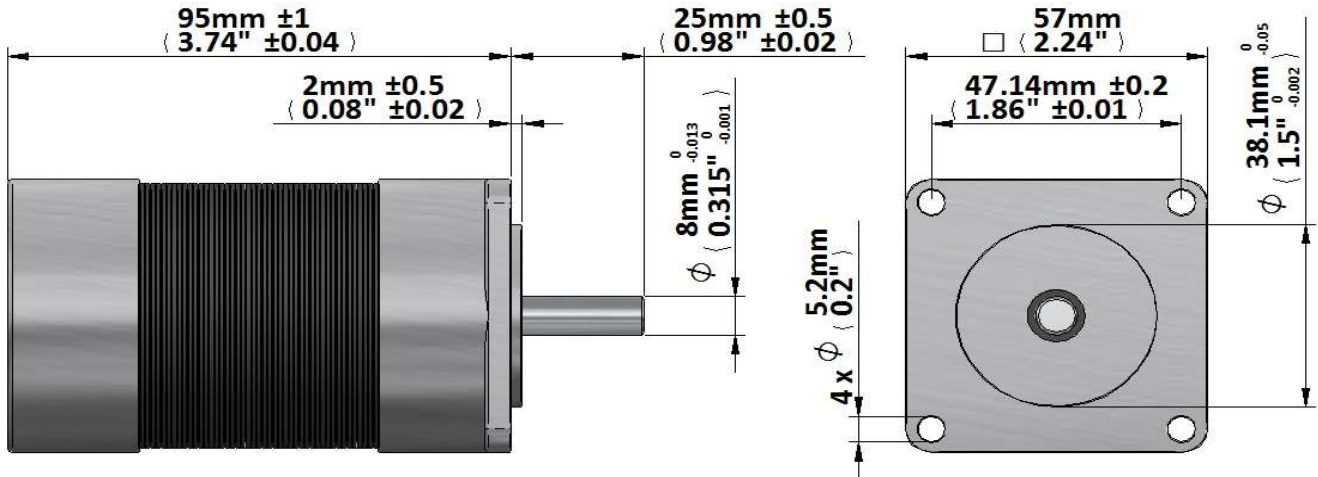


**GEEPLUS**

BLDC5795



Phase Leads, 18AWG, UL1569

Hall Sensor Leads, 26AWG, UL1569

U**V****W****5v****GND****A****B****C**

Red

Yellow

Black

Red

Black

Blue

Green

White

Motor Winding Option	01A		
Motor Poles	4		
Voltage (VDC)	24VDC		
No-Load Speed (RPM)	$5200 \pm 10\%$		
Rated Torque (Nm)	0,32		
Rated Speed (RPM)	$4000 \pm 10\%$		
Rated Current (A)	7,4		
Rated Power (W)	130		
Max (Stall) Torque (Nm)	1,2		
Back-EMF Constant (V/kRPM)	3,13		
Torque Constant (Nm/A)	0,044		
Resistance (Ω)			
Mass (kg)			
Shaft Runout (mm MAX)	0,025		
Insulation Class B			
Dielectric Strength 500VDC for 1min			
Ambient Temperature -20°C to $+40^{\circ}\text{C}$			

Geeplus reserves the right to change specifications without notice

www.geeplus.com