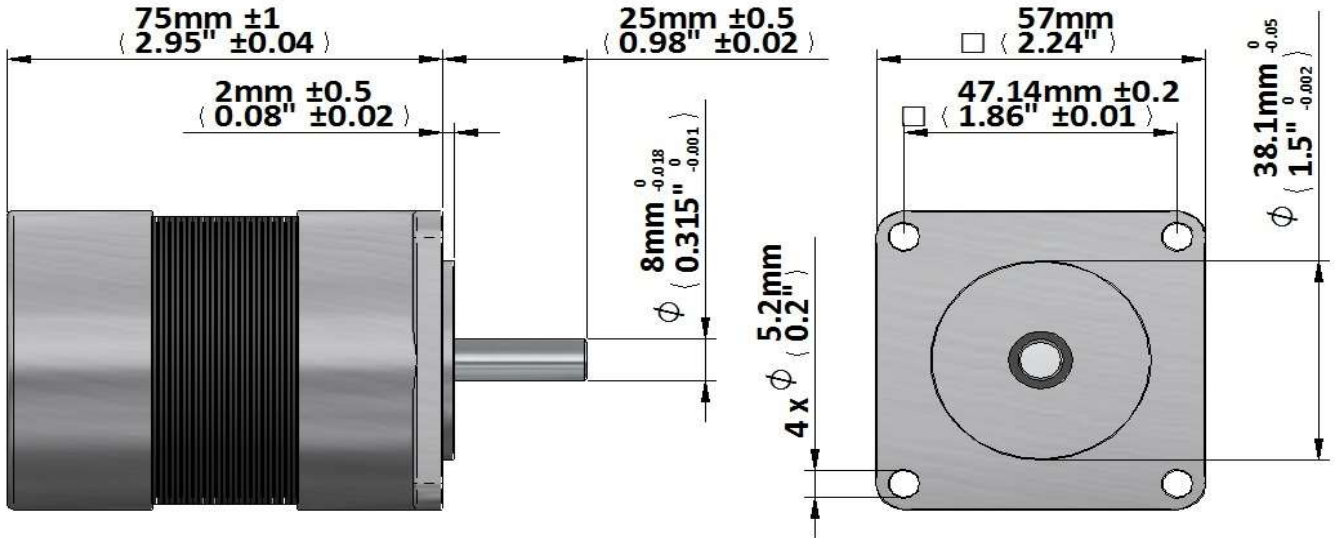




GEEPLUS

BLDC5775



Phase Leads, 18AWG, UL1569

Hall Sensor Leads, 26AWG, UL1569

U

V

W

5v

GND

A

B

C

Red

Yellow

Black

Red

Black

Blue

Green

White

Motor Winding Option	01A		
Motor Poles	4		
Voltage (VDC)	24VDC		
No-Load Speed (RPM)	4900 ±10%		
Rated Torque (Nm)	0,22		
Rated Speed (RPM)	4000 ±10%		
Rated Current (A)	5,2		
Rated Power (W)	90		
Max (Stall) Torque (Nm)	0,8		
Back-EMF Constant (V/kRPM)	3,15		
Torque Constant (Nm/A)	0,045		
Resistance (Ω)	1,22		
Mass (kg)	0,9		
Shaft Runout (mm MAX)	0,025		
Insulation Class B			
Dielectric Strength 500VDC for 1min			
Ambient Temperature -20°C to +40°C			

Geeplus reserves the right to change specifications without notice

www.geeplus.com