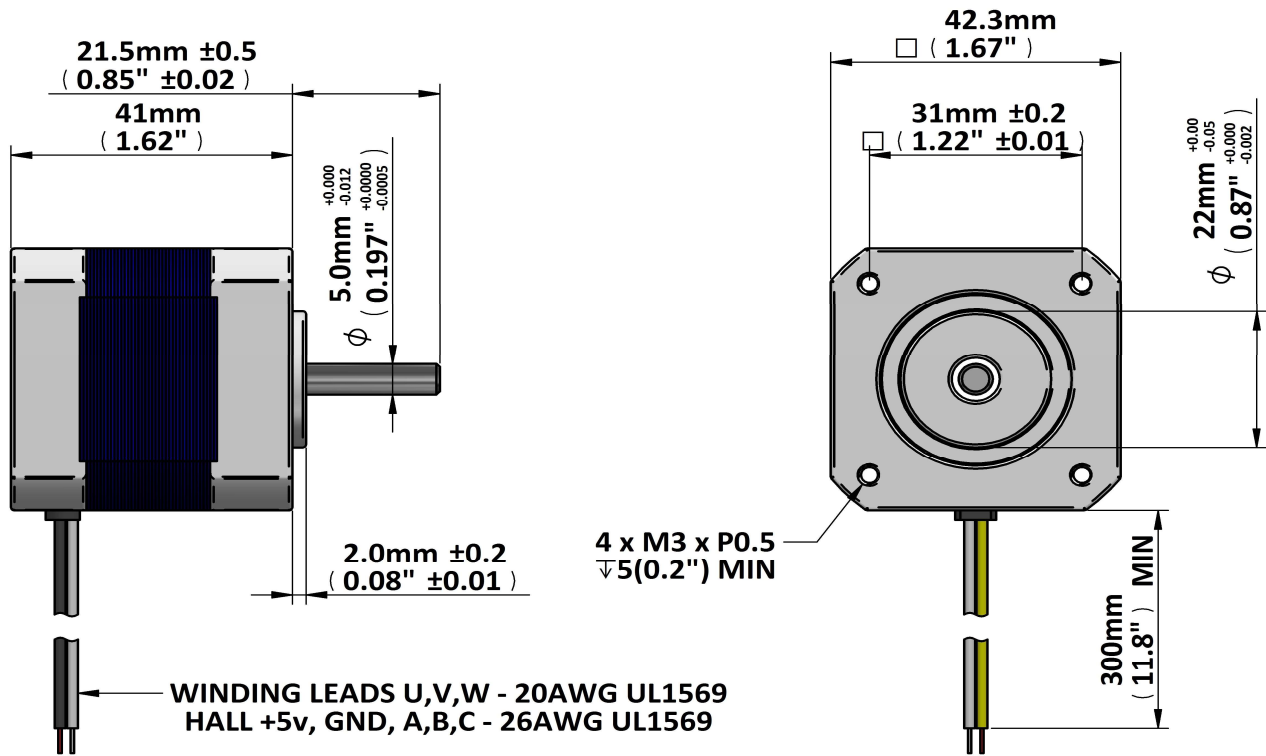




GEEPLUS

# BLDC4241



Phase Leads, 20AWG, UL1569				Hall Sensor Leads, 28AWG, UL1569			
U	V	W	5v	GND	A	B	C
Red	Yellow	Black	Red	Black	Blue	Green	White

Motor Winding Option	01A		
Motor Poles	8		
Voltage (VDC)	24VDC		
No-Load Speed (RPM)	5000 ±10%		
Rated Torque (Nm)	0,063		
Rated Speed (RPM)	4000 ±10%		
Rated Current (A)	<2		
Rated Power (W)	25		
Max (Stall) Torque (Nm)	0,19		
Back-EMF Constant (V/kRPM)	3,13		
Torque Constant (Nm/A)	0,039		
Resistance (Ω)	1,5		
Mass (kg)	0,3		
Shaft Runout (mm MAX)	0,025		
Insulation Class B			
Dielectric Strength 500VDC for 1min			
Ambient Temperature -10°C to +40°C			