



GEEPLUS

Tubular Solenoid size 253

Device operer in energised condition

Available plunger options:

pull (-Lx) / push (-Hx)

Life Expectancy (cycles):

>2M (-L, ;-H),

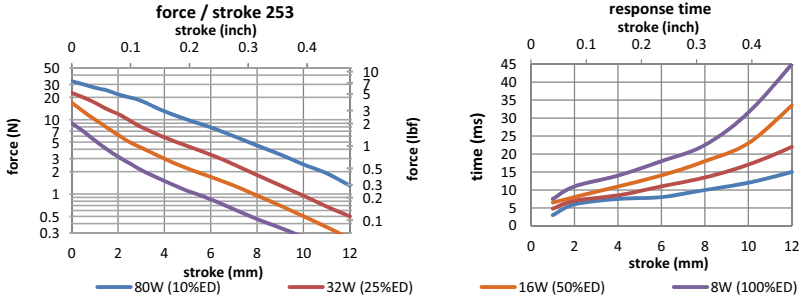
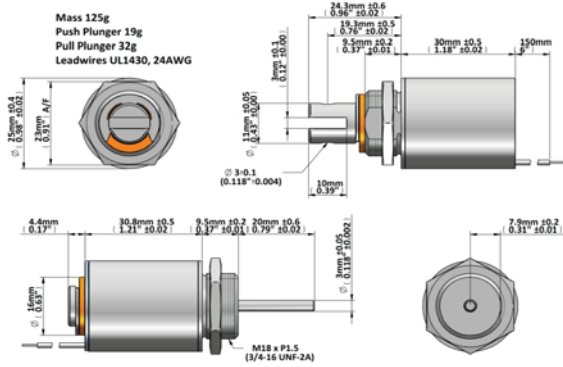
>5M (-LE, ;-HE),

>10M (-LL, -HL)

Available mechanical options:

M: metric thread

F: SAE thread



Data at 20°C, device connected to heatsink 100x100x3mm aluminum

duty cycle = $\frac{\text{"on" time}}{\text{"on" time} + \text{"off" time}} \times 100\%$		100% cont.	50% or less	25% or less	10% or less	
Max. "on" time in seconds		∞	360	32	8	
watts at 20°C		8	16	32	80	
ampere-turns at 20°		666	942	1332	2106	
AWG no.	resistance Ω±10% (at 20°C)	number of turns	volts DC			
			3.9	5.5	7.8	12.3
25	1.91	328	5.1	8.7	12.3	19.4
26	3.49	460	6.1	8.7	12.3	19.4
27	4.79	520	7.9	11.2	15.8	25
28	8.27	696	10.8	15.2	22	34
29	14.7	910	12.1	17.2	24	38
30	18.6	1020	15.3	22	31	48
31	31.3	1360	21	29	41	65
32	50.3	1620	25	35	50	79
33	76.8	2060	31	44	63	99
34	121	2570	41	58	82	130
35	207	3350	50	71	100	158
36	308	4100	64	91	128	202
37	490	5100	80	113	160	253
38	720	6000	103	145	206	325
39	1320	8550	129	183	259	409
40	2040	10500				

Insulation Resistance >100MΩ, 500VDC Megger
Class E (120°C) insulation class

Dielectric Strength 1000VAC, 50/60Hz, 1 minute

Geeplus reserves the right to change specifications without notice

www.geeplus.biz e-mail: info@geeplus.biz