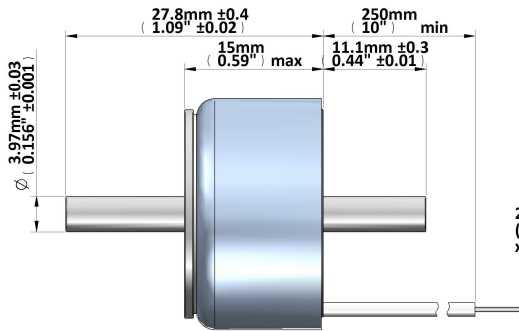




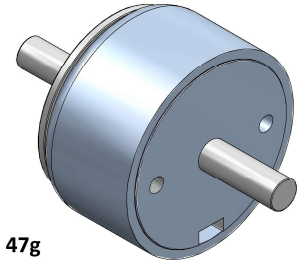
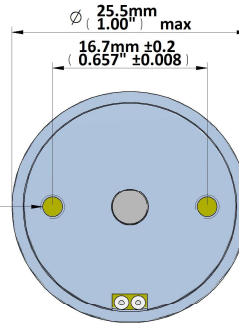
# GEEPLUS Small Push Pull Solenoid size 251

Device drawn in energised condition  
conical plunger  
Life Expectancy (cycles): >5M

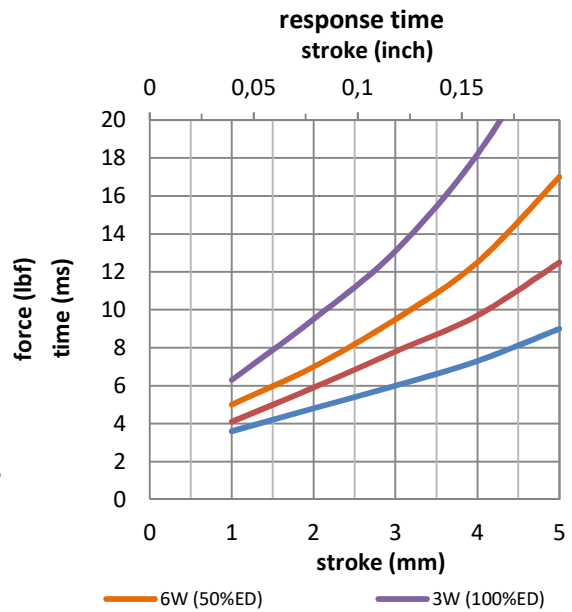
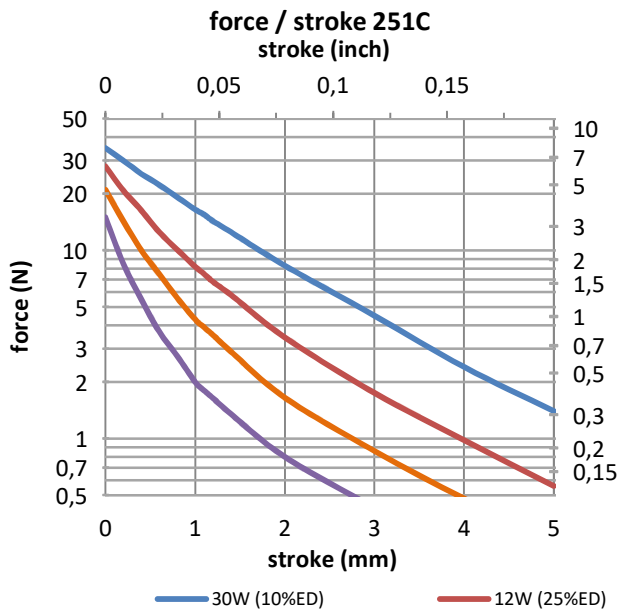
Available mechanical options:  
M: metric thread  
F: SAE thread



2 x M2.6 x P0.45  
(3-48 NC-2B)  
x 2 (0.08") deep



Mass 47g  
Plunger 11g  
Leadwires 24AWG, UL1430



Data at 20°C, without heatsink

duty cycle = $\frac{\text{"on" time}}{\text{"on" time} + \text{"off" time}} \times 100\%$		100% cont.	50% or less	25% or less	10% or less	
Max. "on" time in seconds		∞	100	36	7	
watts at 20°C		3	6	12	30	
ampere-turns at 20°		240	339	480	758	
type no.	resistance	number of turns	volts DC			
	$\Omega \pm 10\%$ (at 20°C)					
M251C-3V F251C-3V	3,3	285	3,0	4,2	6,0	9,5
M251C-6V F251C-6V	13	570	6,0	8,5	12	19
M251C-12V F251C-12V	51	1090	12	17	24	38
M251C-24V F251C-24V	228	2250	24	34	48	76

Insulation Resistance >100MΩ, 500VDC Megger  
Class E (120°C) insulation class

Dielectric Strength 1000VAC, 50/60Hz, 1 minute

Geeplus reserves the right to change specifications without notice

[www.geeplus.biz](http://www.geeplus.biz) e-mail: [info@geeplus.biz](mailto:info@geeplus.biz)