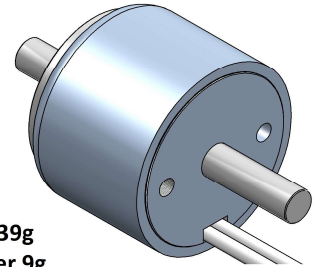
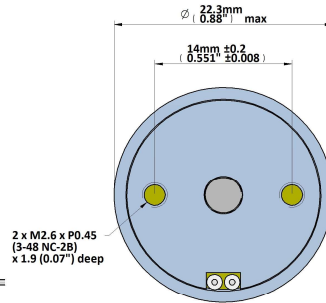
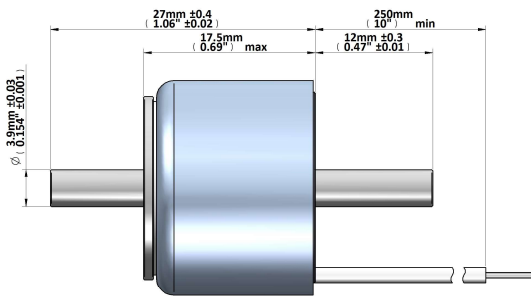




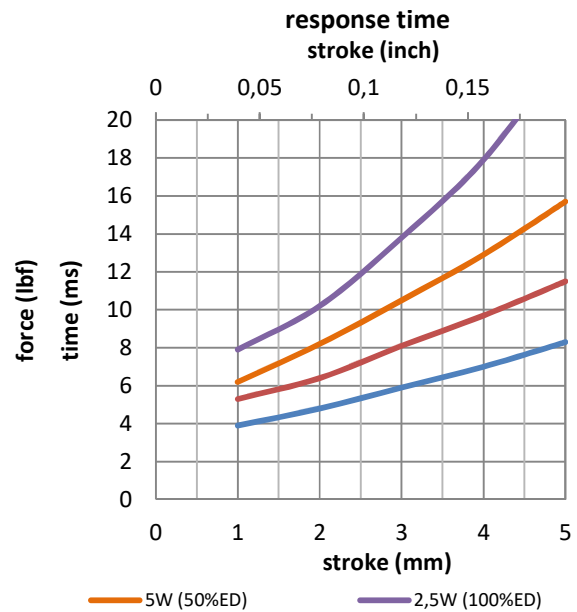
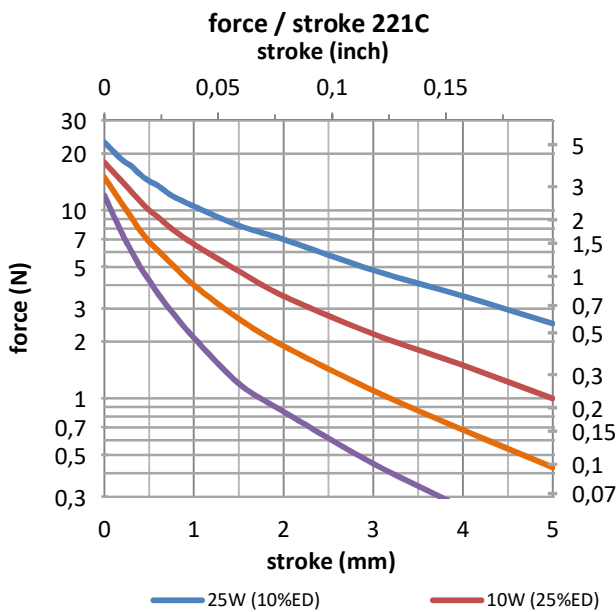
GEEPLUS Small Push Pull Solenoid size 221

Device drawn in energised condition
conical plunger
Life Expectancy (cycles): >5M

Available mechanical options:
M: metric thread
F: SAE thread



Mass 39g
Plunger 9g
Leadwires 26AWG, UL1430



Data at 20°C, without heatsink

| duty cycle = $\frac{\text{"on" time}}{\text{"on" time} + \text{"off" time}} \times 100\%$ | | | 100% cont. | 50% or less | 25% or less | 10% or less |
|---|-----------------------------|--------------------|---------------|----------------|----------------|----------------|
| Max. "on" time in seconds | | | ∞ | 100 | 36 | 7 |
| watts at 20°C | | | 2,5 | 5 | 10 | 25 |
| ampere-turns at 20° | | | 253 | 358 | 507 | 803 |
| type no. | resistance | number of turns | volts DC | | | |
| | $\Omega \pm 10\%$ (at 20°C) | | | | | |
| M221C-3V F221C-3V | 3,8 | 325 | 3,0 | 4,2 | 6,0 | 9,5 |
| M221C-6V F221C-6V | 13,8 | 620 | 6,0 | 8,5 | 12 | 19 |
| M221C-12V F221C-12V | 59 | 1260 | 12 | 17 | 24 | 38 |
| M221C-24V F221C-24V | 226 | 2200 | 24 | 34 | 48 | 76 |

Insulation Resistance >100MΩ, 500VDC Megger
Class E (120°C) insulation class

Dielectric Strength 1000VAC, 50/60Hz, 1 minute

Geeplus reserves the right to change specifications without notice

www.geeplus.biz e-mail: info@geeplus.biz