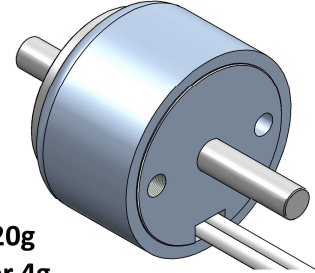
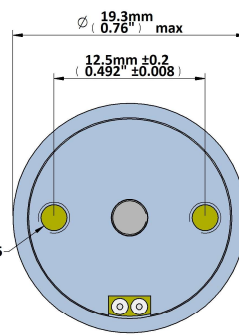
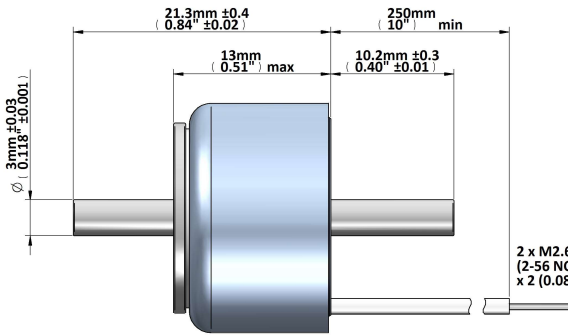




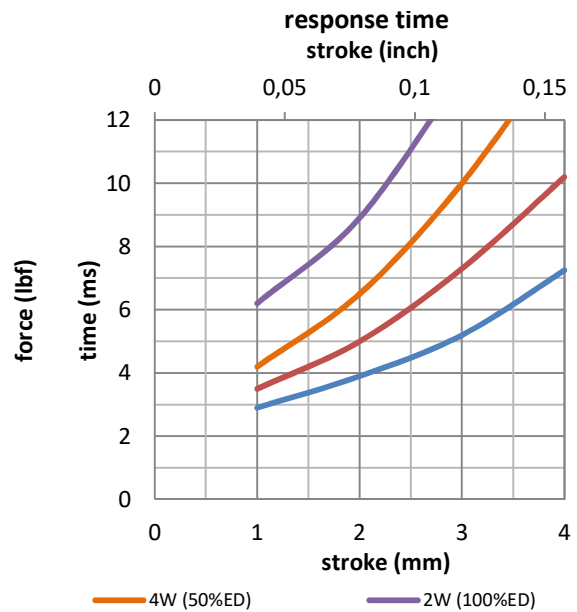
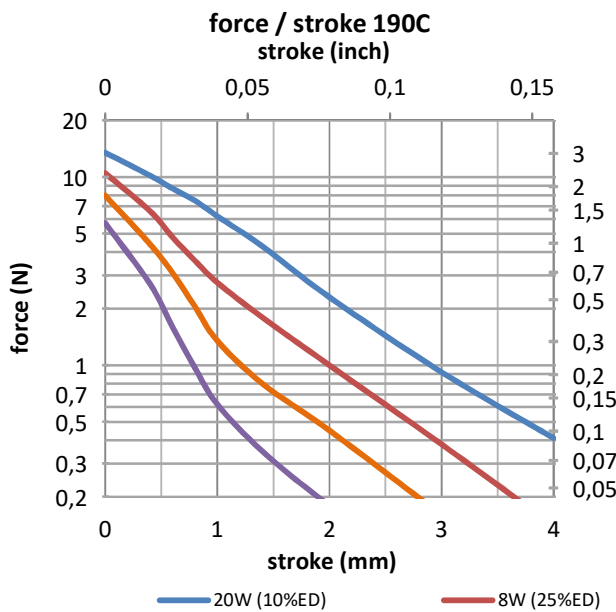
GEEPLUS Small Push Pull Solenoid size 190

Device drawn in energised condition
conical plunger
Life Expectancy (cycles): >5M

Available mechanical options:
M: metric thread
F: SAE thread



Mass 20g
Plunger 4g
Leadwires 28AWG, UL1430



Data at 20°C, without heatsink

duty cycle = $\frac{\text{"on" time}}{\text{"on" time} + \text{"off" time}} \times 100\%$			100% cont.	50% or less	25% or less	10% or less
Max. "on" time in seconds			∞	100	36	7
watts at 20°C			2	4	8	20
ampere-turns at 20°			170	240	340	537
type no.	resistance	number of turns	volts DC			
	$\Omega \pm 10\%$ (at 20°C)					
M190C-3V F190C-3V	4,9	295	3,0	4,2	6,0	9,5
M190C-6V F190C-6V	21,5	620	6,0	8,5	12	19
M190C-12V F190C-12V	89	1230	12	17	24	38
M190C-24V F190C-24V	307	2120	24	34	48	76

Insulation Resistance >100M Ω , 500VDC Megger
Class E (120°C) insulation class

Dielectric Strength 1000VAC, 50/60Hz, 1 minute

Geeplus reserves the right to change specifications without notice

www.geeplus.biz e-mail: info@geeplus.biz