



GEEPLUS

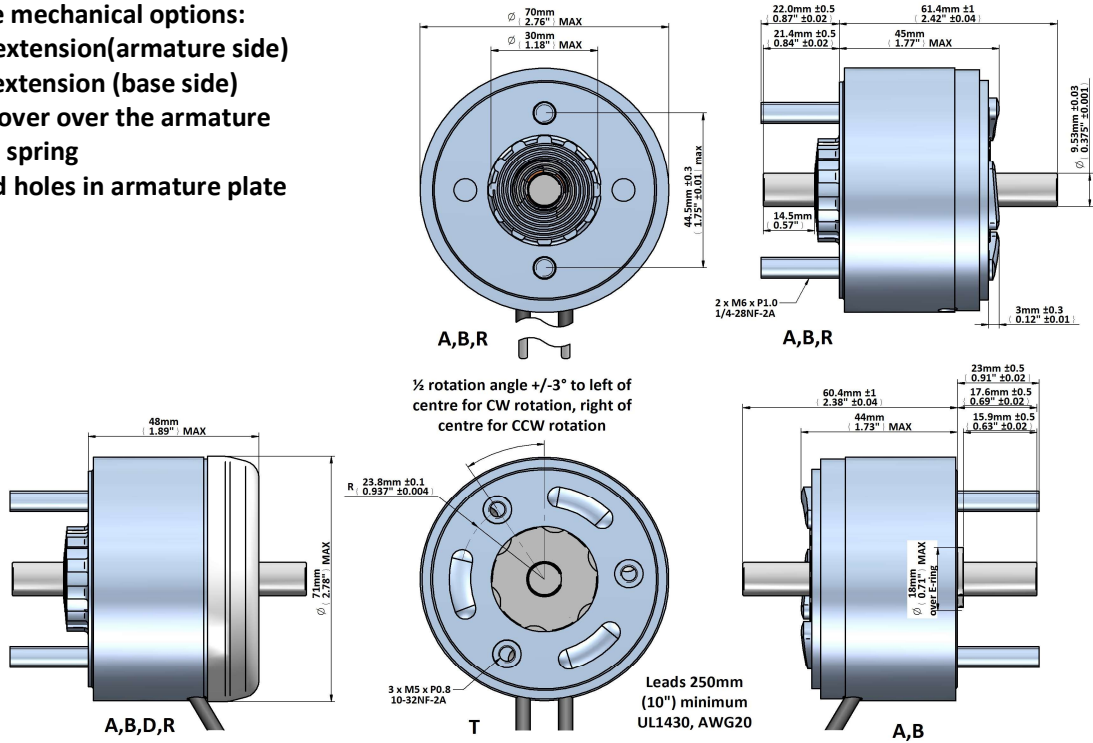
Rotary Solenoid size 700

Device drawn in de-energised condition
 Life Expectancy (cycles): >2M (-R), >10M (-RE), >50M (-RL)

Available angle options:
 25°, 35°, 45°, 67,5°, 95° (CW/CCW)
 Mass 1013 grammes

Available mechanical options:

- A: shaft extension(armature side)
- B: shaft extension (base side)
- D: dust cover over the armature
- R: return spring
- T: tapped holes in armature plate



Data at 20°C, device connected to heatsink 390x390x3mm aluminum

return spring 75 ~ 105 mNm

duty cycle = $\frac{\text{"on" time}}{\text{"on" time} + \text{"off" time}} \times 100\%$		100% cont.	75% or less	50% or less	25% or less	10% or less	
Max. "on" time in seconds		∞	112	80	37	16	
watts at 20°C		35	46,5	70	140	350	
ampere-turns at 20°		1570	1800	2230	3150	5000	
Gross starting torque at 20°C (Nm)		25°	1,27	2,12	2,74	3,8	4,9
		35°	0,69	0,99	1,38	2,53	4,37
		45°	0,58	0,78	1,0	1,88	3,42
		67,5°	0,288	0,355	0,59	1,12	2,01
		95°	0,178	0,3	0,4	0,735	1,21
AWG no.	resistance $\Omega \pm 10\%$ (at 20°C)	number of turns	volts DC				
20	1,88	368	8	9,3	11	16	26
21	3,01	468	10	11	14	20	32
22	4,82	580	13	15	18	26	41
23	8,1	780	16	19	23	33	52
24	12,3	949	20	23	29	41	65
25	19	1148	26	30	37	52	83
26	30,8	1472	33	38	46	66	105
27	48,8	1854	41	47	59	83	132
28	81,1	2436	52	60	75	105	166
29	121	2944	64	74	92	130	206
30	190	3650	82	94	118	166	264
31	275	4175	104	119	147	209	331
32	440	5792	119	137	170	240	-
33	735	7000	165	191	235	331	-
34	995	7600	204	239	288	-	-

Dielectric Strength 1000VAC, 50/60Hz, 1 minute

Geepus reserves the right to change specifications without notice

www.geepus.biz e-mail: info@geepus.biz