



GEEPLUS

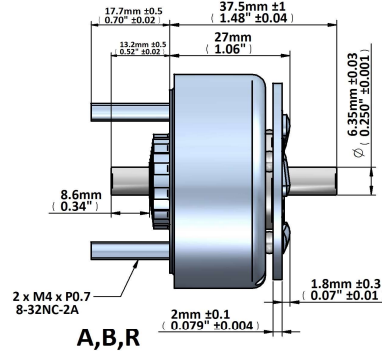
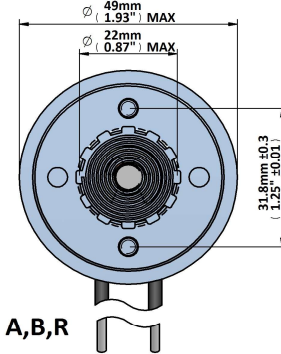
Rotary Solenoid size 490

Device drawn in de-energised condition
 Life Expectancy (cycles):
 >2M (-R), >10M (-RE), >50M (-RL)

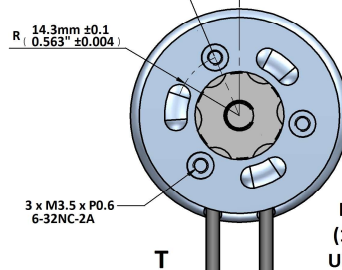
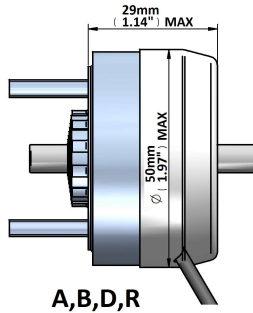
Available angle options:
 25°, 35°, 45°, 67,5°, 95° (CW/CCW)
 Mass 250 grammes

Available mechanical options:

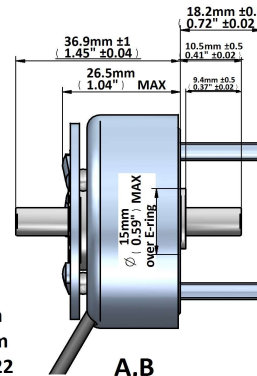
- A: shaft extension (armature side)
- B: shaft extension (base side)
- D: dust cover over the armature
- R: return spring



½ rotation angle +/-3° to left of centre for CW rotation, right of centre for CCW rotation



Leads 250mm (10") minimum
 UL1430, AWG22



Data at 20°C, device connected to heatsink 190x190x3mm aluminum

return spring 26 ~ 35 Nm

duty cycle = $\frac{\text{"on" time}}{\text{"on" time} + \text{"off" time}} \times 100\%$		100% cont.	75% or less	50% or less	25% or less	10% or less	
Max. "on" time in seconds		∞	110	100	36	10	
watts at 20°C		21	28	42	84	210	
ampere-turns at 20°		842	966	1190	1685	2660	
Gross starting torque at 20°C (Nm)		25°	0,220	0,3	0,47	0,84	1,39
		35°	0,104	0,15	0,24	0,47	0,84
		45°	0,081	0,127	0,195	0,390	0,725
		67,5°	0,058	0,081	0,127	0,230	0,450
		95°	0,022	0,035	0,046	0,098	0,185
AWG no.	resistance Ω±10% (at 20°C)	number of turns	volts DC				
24	3,20	360	7,6	8,7	11	15	24
25	4,91	440	9,5	11	13	19	30
26	7,72	550	12	14	17	24	38
27	11,1	636	15	17	21	30	48
28	18,8	840	19	22	27	38	60
29	30,5	1088	24	28	34	48	76
30	44,9	1275	30	34	43	60	95
31	70,9	1596	38	43	54	76	120
32	109	1974	48	56	67	95	150
33	175	2496	60	69	85	120	190
34	270	3042	76	87	107	151	239
35	414	3600	95	109	134	190	301
36	610	4200	122	140	173	245	386
37	940	5200	151	174	213	301	-
38	1560	6820	190	219	268	379	-

Insulation Resistance >100MΩ, 500VDC Megger
 Class E (120°C) insulation class

Dielectric Strength 1000VAC, 50/60Hz, 1 minute

Geepus reserves the right to change specifications without notice

www.geeplus.biz e-mail: info@geeplus.biz