



GEEPLUS

VM3850RB

P_{100} is the continuous (100% ED) excitation power at which the coil attains temperature T_{max} with the part mounted to a massive heatsink at 20°C

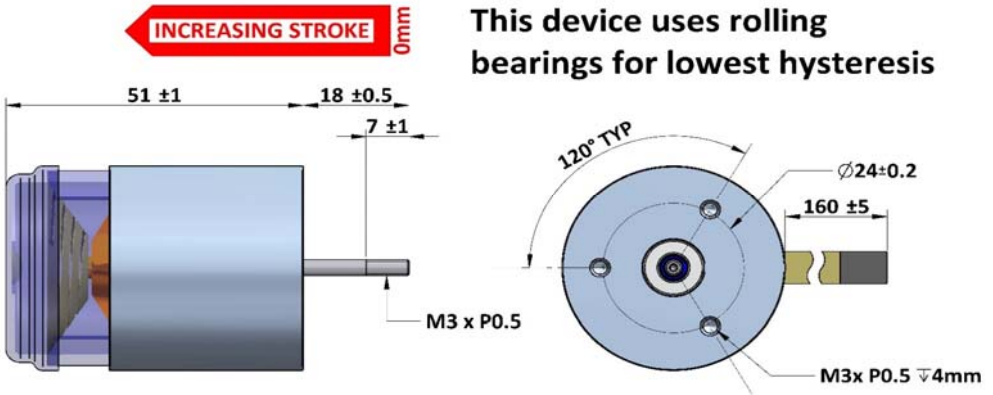
P_{100} 7.4 W
 T_{max} 130 °C

Total Mass 224 g
Coil Mass 17 g

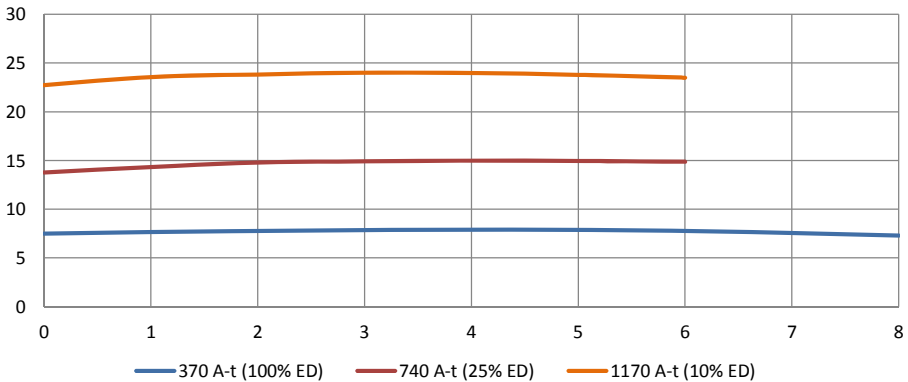
Model No.	Resistance R_{20}	Inductance	Force Constant	Velocity Constant	Current I_{100}
VM3850RB-200	25.4 Ω	0.0 mH*	14.5 N/A	14.5 Vs/m	0.46 A
VM3850RB-265	8.2 Ω	0.0 mH*	8.6 N/A	8.6 Vs/m	0.80 A
VM3850RB-400	1.6 Ω	0.0 mH*	3.9 N/A	3.9 Vs/m	1.82 A

	Max 'ON' time	Peak Force
100% ED	∞	7.2 N
50% ED	105 s	10.0 N
25% ED	62 s	15.0 N
10% ED	11 s	24.0 N

*Inductance is measured with the shaft fully extended and will reduce as the shaft moves in to the pot.



Force (N) vs Displacement (mm)



Geeplus reserves the right to change specifications without notice

www.geeplus.biz e-mail: info@geeplus.biz