



Super Stroke Solenoid M380SS-XXv

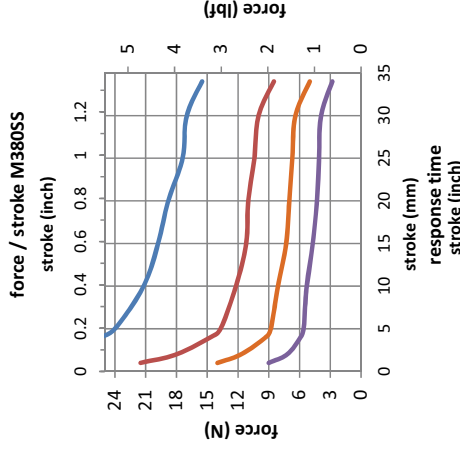
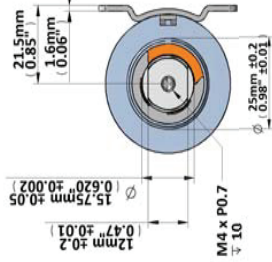
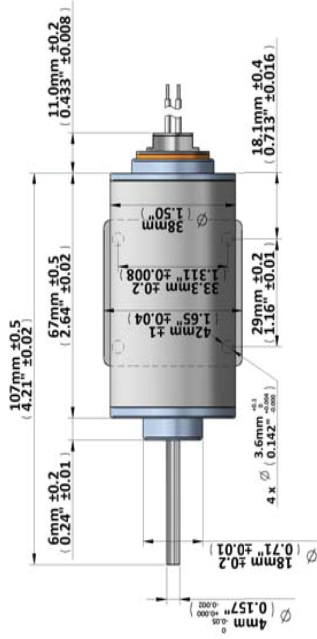
Device drawn in energised condition

Life Expectancy >2M cycles

Leadwires UL1430, 22AWG

Plunger Mass 91. grammes

Mass 535 grammes



Data at 20°C, device performance measured without heat sink

duty cycle = "on" time + "off" time Max. "on" time in seconds	"on" time x 100%	100% cont.	50% or less	25% or less	10% or less	volts DC									
						resistance Ω±10% (at 20°C)	number of turns	100W (10%ED)	40W (25%ED)	20W (50%ED)	10W (100%ED)				
watts at 20°C		∞	330	80	20										
ampere-turns at 20°		10	20	40	100										
		1360	1923	2720	4300										

Insulation Resistance >100MΩ, 500VDC Megger

Class E (120°C) insulation class

Dielectric Strength 1000VAC, 50/60Hz, 1 minute

Geeplus reserves the right to change specifications without notice

www.geeplus.biz e-mail: info@geeplus.biz