



# Super Stroke Solenoid M250SS-XXV

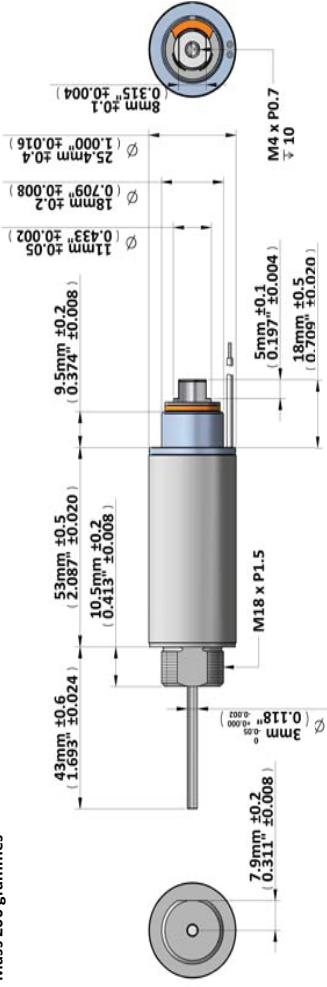
Device drawn in energised condition

Life Expectancy >2M cycles

Leadwires UL1430, 22AWG

Plunger Mass 46 grammes

Mass 200 grammes



Data at 20°C, device performance measured without heat sink

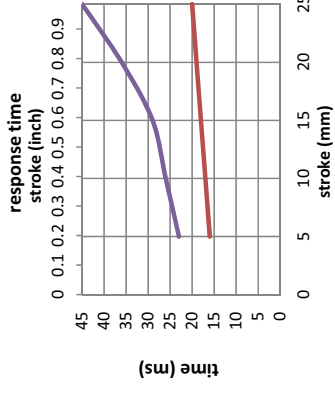
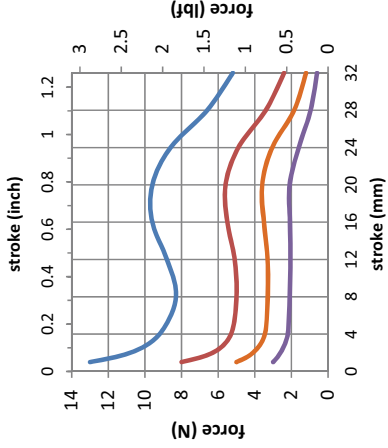
duty cycle = "on" time "on" time + "off" time x 100%	100% cont.	50% or less	25% or less	10% or less	volts DC		
					resistance Ω±10% (at 20°C)	number of turns	
Max. "on" time in seconds	∞	290	26	6			
watts at 20°C	8.5	17	34	85			
ampere-turns at 20°	983	1390	1966	3109			
AWG no.							
M250SS-12v	17	1392	24.0	38.0			
M250SS-24v	66	2686	48.0	76.0			
M250SS-48v	260	5380	96.0	152.0			
M250SS-96v	1170	11400	192	304			

Insulation Resistance >100MΩ, 500VDC Megger

Class E (120°C) insulation class

Dielectric Strength 1000VAC, 50/60Hz, 1 minute

force / stroke M250SS



— 85W (10%ED)    — 34W (25%ED)    — 8.5W (100%ED)  
— 17W (50%ED)