

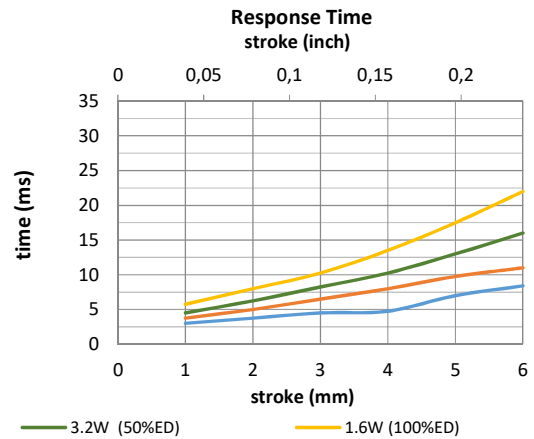
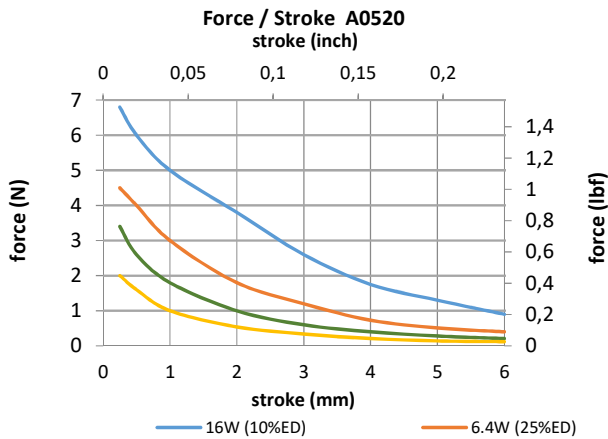
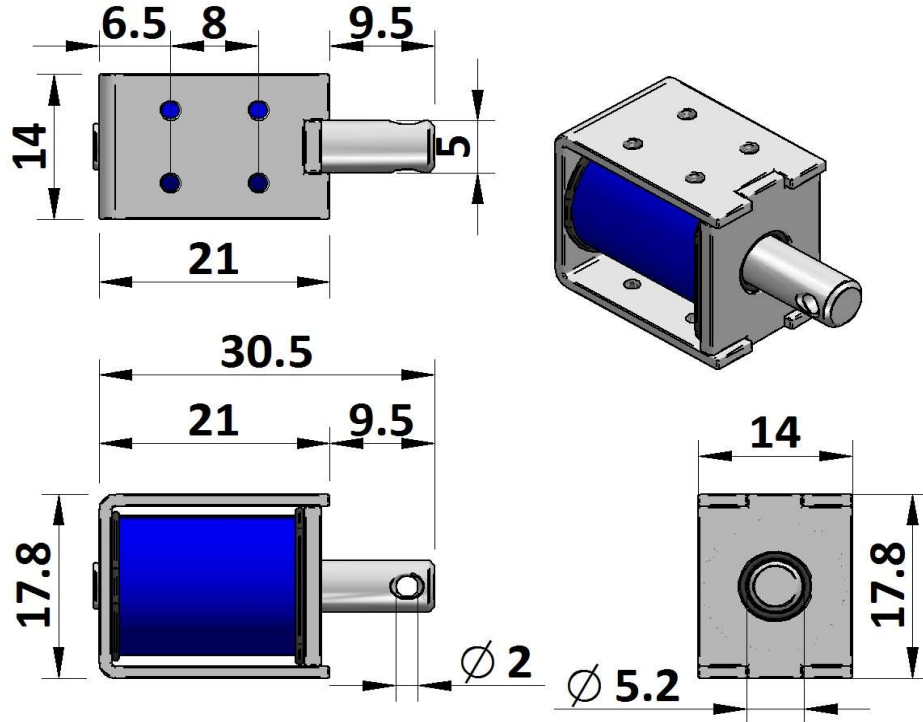


GEEPLUS

Open Frame Solenoid SK-A0520

Device drawn in energised condition
 Life Expectancy >250K cycles
 Leadwires UL1007. 28AWG. 240mm

Plunger Mass 4 grammes
 Total Mass 22 grammes



Data at 20°C, device performance measured without heat sink

| duty cycle = $\frac{\text{"on" time}}{\text{"on" time} + \text{"off" time}} \times 100\%$ | | | 100% cont. | 50% or less | 25% or less | 10% or less |
|---|-----------------------------|--------------------|---------------|----------------|----------------|----------------|
| Max. "on" time in seconds | | | ∞ | 55 | 19 | 3 |
| watts at 20°C | | | 1,6 | 3,2 | 6,4 | 16,0 |
| ampere-turns at 20° | | | 300 | 424 | 600 | 948 |
| AWG no. | resistance | number of turns | volts DC | | | |
| | $\Omega \pm 10\%$ (at 20°C) | | 6,0 | 8,5 | 12,0 | 19,0 |
| SK-A0520-6v | 23 | 1150 | 6,0 | 8,5 | 12,0 | 19,0 |
| SK-A0520-12v | 90 | 2290 | 12,0 | 17,0 | 24,0 | 38,0 |
| SK-A0520-24v | 360 | 4500 | 24,0 | 34,0 | 48,0 | 76,0 |
| SK-A0520-48v | 1440 | 8600 | 48,0 | 68,0 | 96,0 | 152 |

Insulation Resistance >100MΩ, 500VDC Megger

Dielectric Strength 500VAC, 50/60Hz, 1 minute

Class A (105°C) insulation class

Geeplus reserves the right to change specifications without notice

www.geeplus.biz e-mail: info@geeplus.biz