

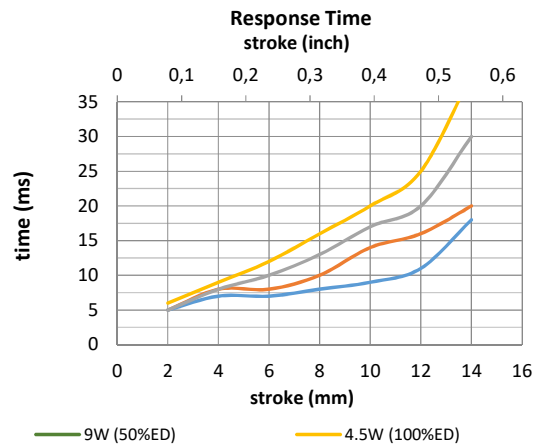
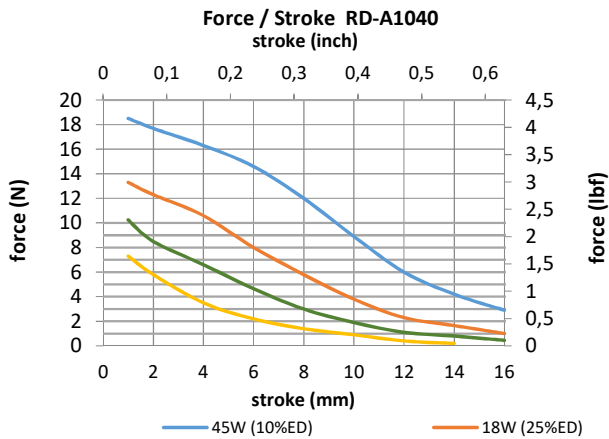
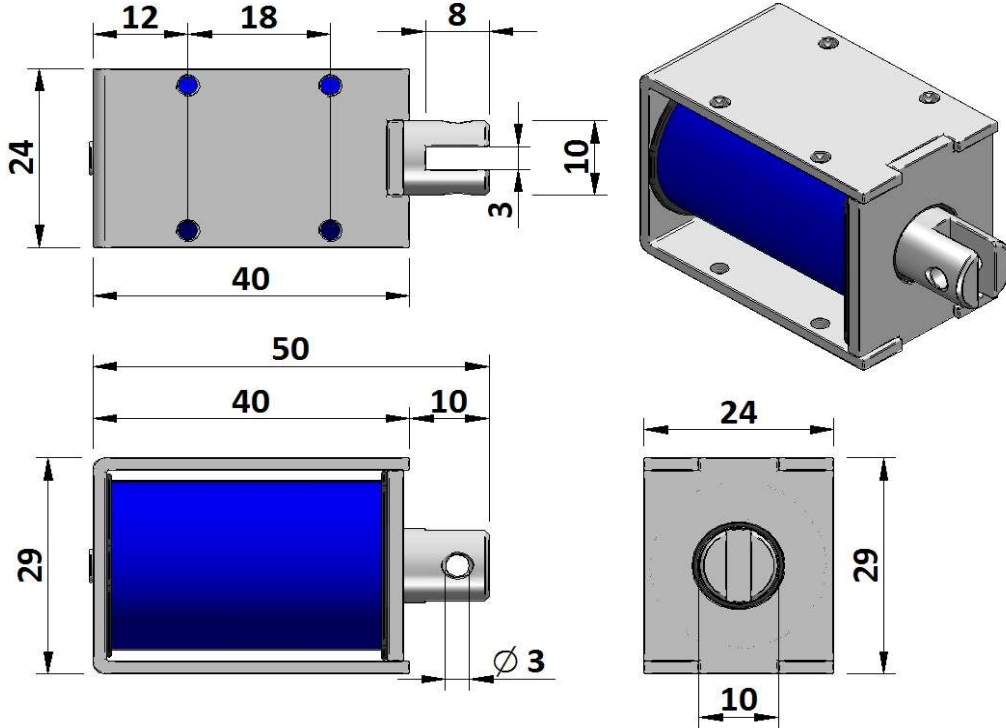


GEEPLUS

Open Frame Solenoid RD-A1040

Device drawn in energised condition
 Life Expectancy >250K cycles
 Leadwires UL1007, 22AWG, 320mm

Plunger Mass 22 grammes
 Total Mass 129 grammes



Data at 20°C, device performance measured without heat sink

| duty cycle = $\frac{\text{"on" time}}{\text{"on" time} + \text{"off" time}} \times 100\%$ | | 100% cont. | 50% or less | 25% or less | 10% or less | |
|---|-------------------------------|--------------------|----------------|----------------|----------------|------|
| Max. "on" time in seconds | | ∞ | 500 | 170 | 48 | |
| watts at 20°C | | 4,5 | 9,0 | 18,0 | 45,0 | |
| ampere-turns at 20° | | | | | | |
| AWG no. | resistance Ω±10% (at 20°C) | number of turns | volts DC | | | |
| RD-A1040-6v | 8,0 | | 6,0 | 8,5 | 12,0 | 19,0 |
| RD-A1040-12v | 32,0 | | 12,0 | 17,0 | 24,0 | 38,0 |
| RD-A1040-24v | 128 | | 24,0 | 34,0 | 48,0 | 76,0 |

Insulation Resistance >100MΩ, 500VDC Megger

Dielectric Strength 500VAC, 50/60Hz, 1 minute

Class A (105°C) insulation class

Geeplus reserves the right to change specifications without notice

www.geeplus.biz e-mail: info@geeplus.biz