



GEEPLUS

S1L-0211-4v

$$\text{Duty Cycle} = \frac{\text{"on" time}}{\text{"on" time} + \text{"off" time}} \times 100\% \quad 25\% \text{ ED}$$

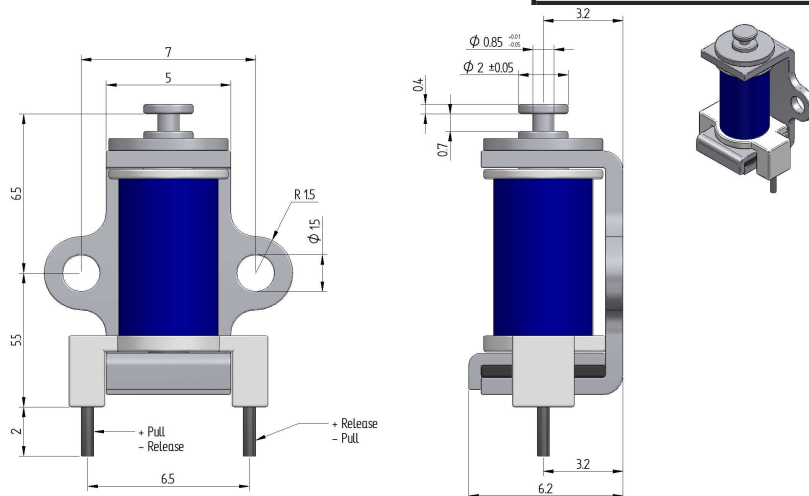
Coil Data	Maximum "on" time in seconds	7*
	Watts at 20°C	2,67
	Ampere-Turns at 20°C	285

P/N	Resistance ±10% @ 20°C	Coil Turns	Volts DC	Release Current
S1L-0211-4v	24.0 Ω	725	4	167 mA

*With Solenoid mounted on a massive heatsink

General Parameters

Life Expectancy (Cycles)	200 000
Mass	1.45 grammes
Plunger Mass	0.30 grammes
Board pins for termination	
Isolation Class	A (105°C)
Dielectric Strength 1000V AC, 50/60Hz, 1min	
Insulation Res >100MΩ, 500V DC Megger	



Force (N) vs Displacement (mm) & Release Characteristic

