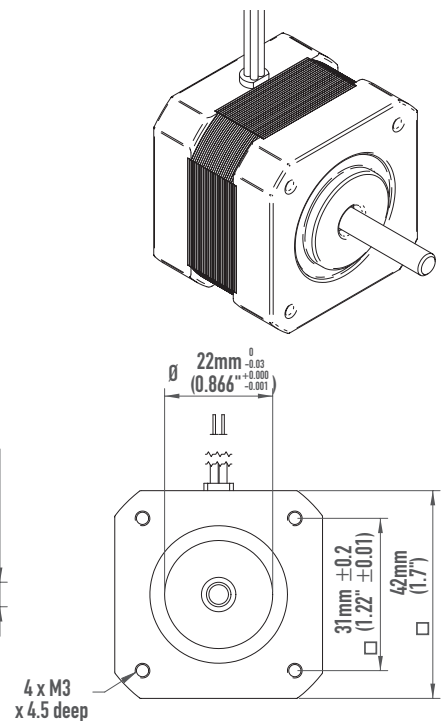
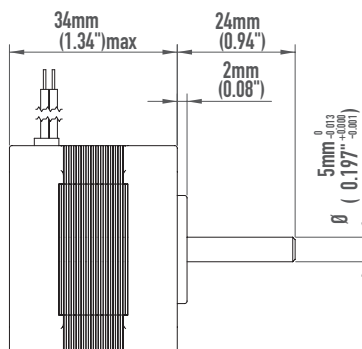
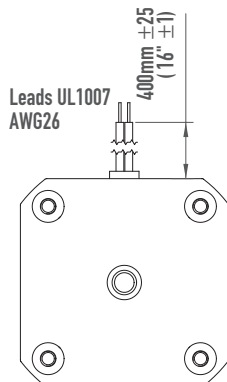
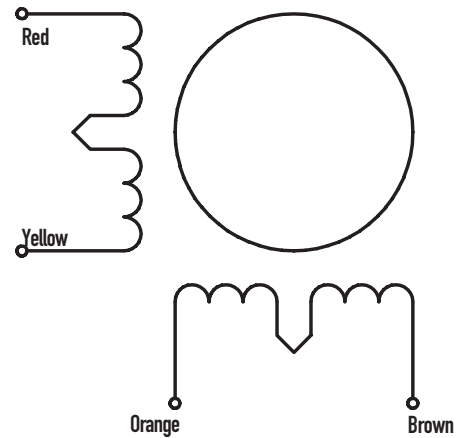
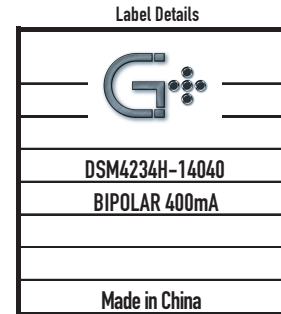


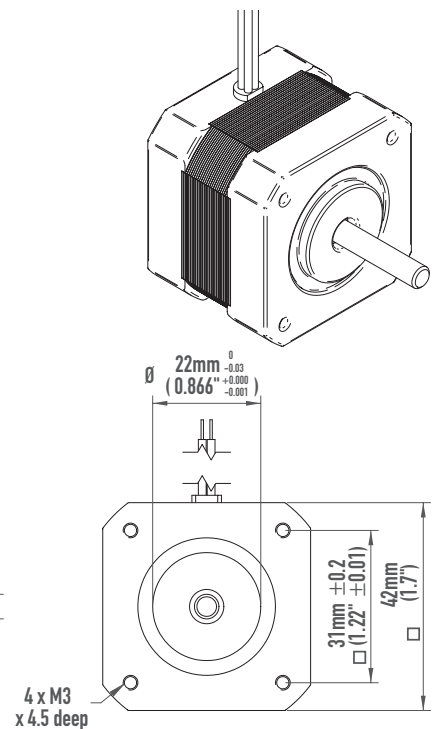
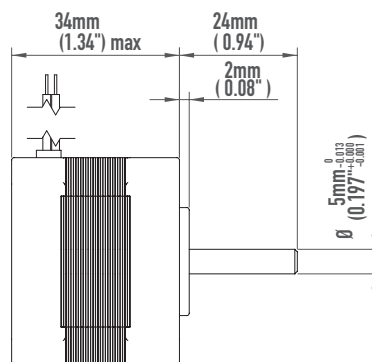
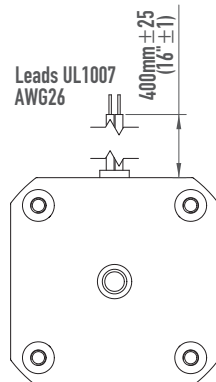
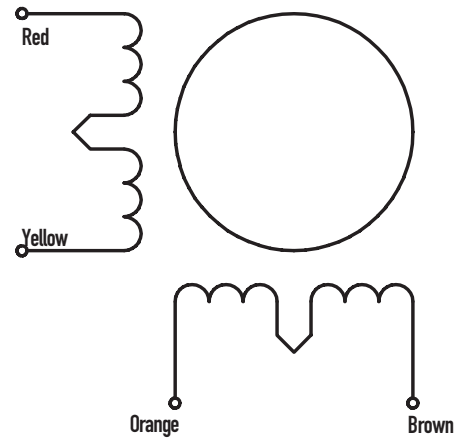
DSM4234H-14040

Step Angle		1.8°				
Step Angle Accuracy		±5				
Holding Torque		0.21N m	1.8lb-in			
Current (RMS)		Bipolar				
		400mA				
Winding Resistance (Ω)		30				
Winding Inductance (mH)		32				
Detent Torque		0.02Nm	0.17lb-in			
Rotor Inertia (gcm ²)		24				
Insulation		Class B, 100M Ω				
Mass		200g				
Bearings		Ball Bearings 625ZZ (Japan)				
Direction of Rotation		Step	Red	Yellow	Orange	Brown
<div style="display: flex; justify-content: space-around;"> <div style="text-align: center;"> <p>↑</p> <p>CW</p> <p>↑</p> </div> <div style="text-align: center;"> <p>↓</p> <p>CCW</p> <p>↓</p> </div> </div>	1	+	-	+	-	
	2	+	-	OFF	OFF	
	3	+	-	-	+	
	4	OFF	OFF	-	+	
	5	-	+	-	+	
	6	-	+	OFF	OFF	
	7	-	+	+	-	
	8	OFF	OFF	+	-	
Sequence shown is for half-step excitation. For full step excitation energise as steps 1,3,5,7						

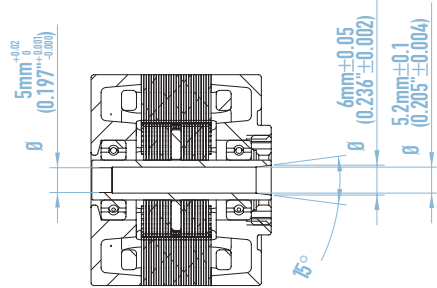


DSM4234H-14150

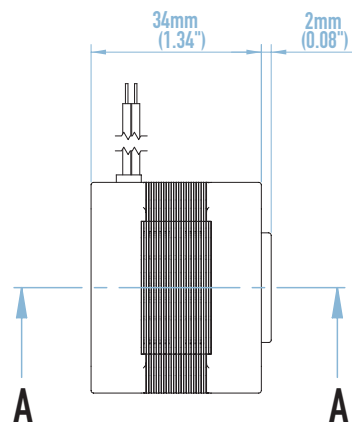
Step Angle		1.8°				
Step Angle Accuracy		±5				
Holding Torque		0.21N m	1.8lb-in			
Current (RMS)		Bipolar				
		1.5A				
Winding Resistance (Ω)		1.3				
Winding Inductance (mH)		1.3				
Detent Torque		0.02Nm	0.17lb-in			
Rotor Inertia (gcm ²)		24				
Insulation		Class B, 100M Ω				
Mass		200g				
Bearings		Ball Bearings 625ZZ (Japan)				
Direction of Rotation		Step	Red	Yellow	Orange	Brown
<div style="display: flex; justify-content: space-around;"> <div style="text-align: center;"> <p>↑</p> <p>CW</p> <p>↑</p> </div> <div style="text-align: center;"> <p>↓</p> <p>CCW</p> <p>↓</p> </div> </div>	1	+	-	+	-	
	2	+	-	OFF	OFF	
	3	+	-	-	+	
	4	OFF	OFF	-	+	
	5	-	+	-	+	
	6	-	+	OFF	OFF	
	7	-	+	+	-	
	8	OFF	OFF	+	-	
Sequence shown is for half-step excitation. For full step excitation energise as steps 1,3,5,7						



DSM4234-04150

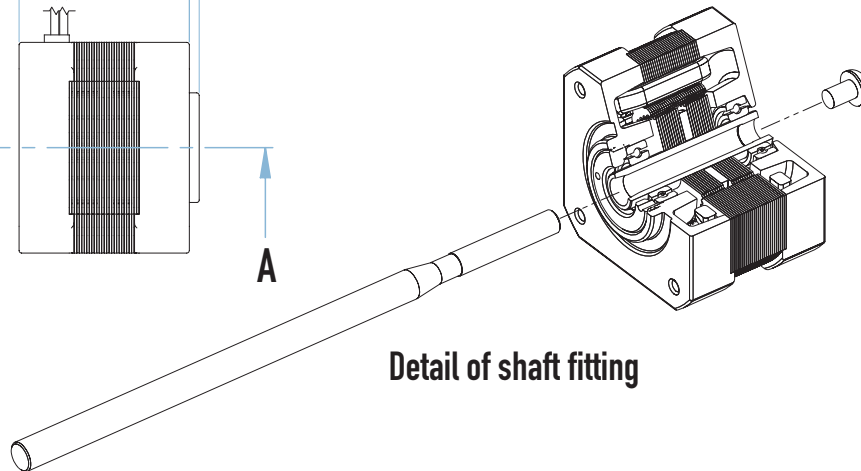


SECTION A-A

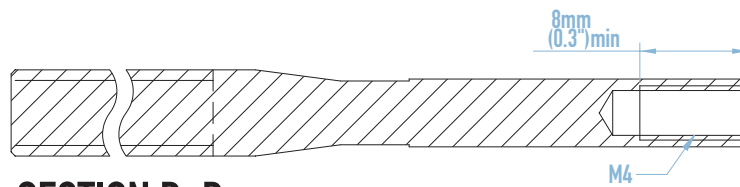


Modified Shafts

Geeplus can supply motors with modified shaft, where quantities merit this, in any motor type. In some cases, modified shaft designs can be supplied in limited quantity based on hollow shaft motor designs. Alternatively, we can supply the hollow shaft motor alone for you to fit your own shaft design.



Detail of shaft fitting



SECTION B-B

