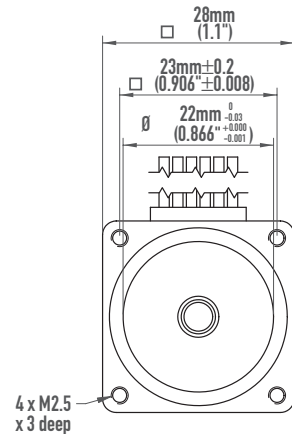
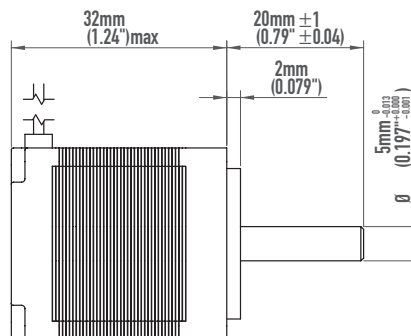
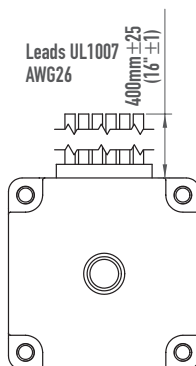
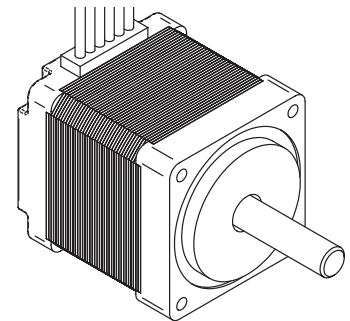
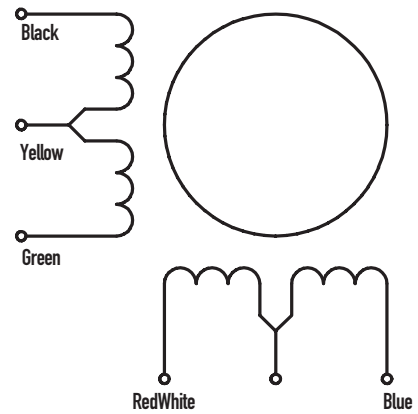


## DSM2832H-16065

<b>Step Angle Accuracy</b>		±5				
<b>Holding Torque (Bipolar)</b>		58mNm		8oz-in		
<b>Current (RMS)</b>		Bipolar		Unipolar		
		0.9A		0.65A		
<b>Winding Resistance (Ω)</b>		2.8				
<b>Winding Inductance (mH)</b>		1				
<b>Detent Torque</b>						
<b>Rotor Inertia (gcm<sup>2</sup>)</b>		0.9				
<b>Insulation Class</b>		Class B, 100M Ω				
<b>Mass</b>		110g				
<b>Bearings</b>						
<b>Direction of Rotation</b>		<b>Step</b>	Yellow +VE		White +VE	
			Black	Green	Red	Blue
<div style="display: flex; justify-content: space-around;"> <div style="text-align: center;"> <p>↑</p> <p><b>CW</b></p> <p>↑</p> </div> <div style="text-align: center;"> <p>↓</p> <p><b>CCW</b></p> <p>↓</p> </div> </div>	1	ON	OFF	ON	OFF	
	2	ON	OFF	OFF	OFF	
	3	ON	OFF	OFF	ON	
	4	OFF	OFF	OFF	ON	
	5	OFF	ON	OFF	ON	
	6	OFF	ON	OFF	OFF	
	7	OFF	ON	ON	OFF	
	8	OFF	OFF	ON	OFF	
Sequence shown is for half-step excitation. For full step excitation energise as steps 1,3,5,7						

Label Details

DSM2832H-16065
BIPOLAR 0.9A
UNIPOLAR 0.65A



## DSM2845H-16065

<b>Step Angle Accuracy</b>		±5				
<b>Holding Torque (Bipolar)</b>		58mNm		8oz-in		
<b>Current (RMS)</b>		<b>Bipolar</b>		<b>Unipolar</b>		
		0.9A		0.65A		
<b>Winding Resistance (Ω)</b>		2.8				
<b>Winding Inductance (mH)</b>		1				
<b>Detent Torque</b>						
<b>Rotor Inertia (gcm<sup>2</sup>)</b>		0.9				
<b>Insulation Class</b>		Class B, 100M Ω				
<b>Mass</b>		140g				
<b>Bearings</b>						
<b>Direction of Rotation</b>		<b>Step</b>	<b>Yellow +VE</b>		<b>White +VE</b>	
			<b>Black</b>	<b>Green</b>	<b>Red</b>	<b>Blue</b>
<div style="display: flex; justify-content: space-around;"> <div style="text-align: center;"> <p>↑</p> <p><b>CW</b></p> <p>↑</p> </div> <div style="text-align: center;"> <p>↓</p> <p><b>CCW</b></p> <p>↓</p> </div> </div>	1	ON	OFF	ON	OFF	
	2	ON	OFF	OFF	OFF	
	3	ON	OFF	OFF	ON	
	4	OFF	OFF	OFF	ON	
	5	OFF	ON	OFF	ON	
	6	OFF	ON	OFF	OFF	
	7	OFF	ON	ON	OFF	
	8	OFF	OFF	ON	OFF	
Sequence shown is for half-step excitation. For full step excitation energise as steps 1,3,5,7						

Label Details

DSM2845H-16065
BIPOLAR 0.9A
UNIPOLAR 0.65A
Made in China

