



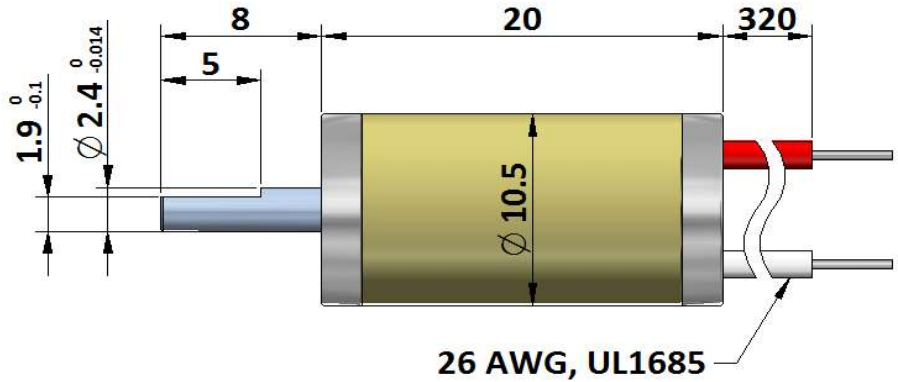
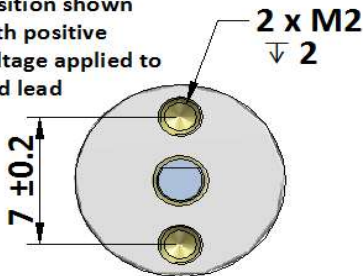
**GEEPLUS**

**BRS1020-13**

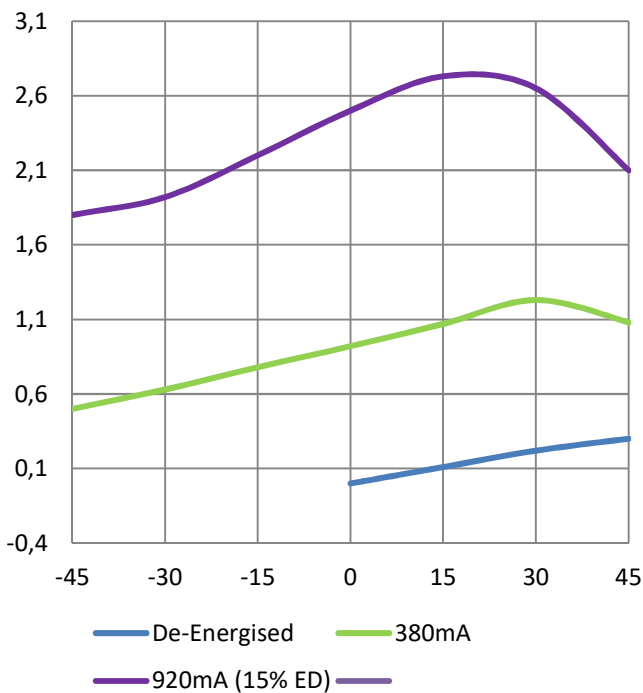
Device drawn with shaft aligned to mid position  
 Nominal 13Ω, 0.6mH for operation at 380mA, 100%ED  
 Rotor Inertia 0.017 gcm<sup>2</sup>  
 Life Expectancy >10M cycles, no load  
 Optimal roation +/-30°, Mass 8 grammes  
 Insulation Resistance >100MΩ, 500VDC Megger  
 Dielectric Strength 500vAC, 50/60Hz, 1 minute



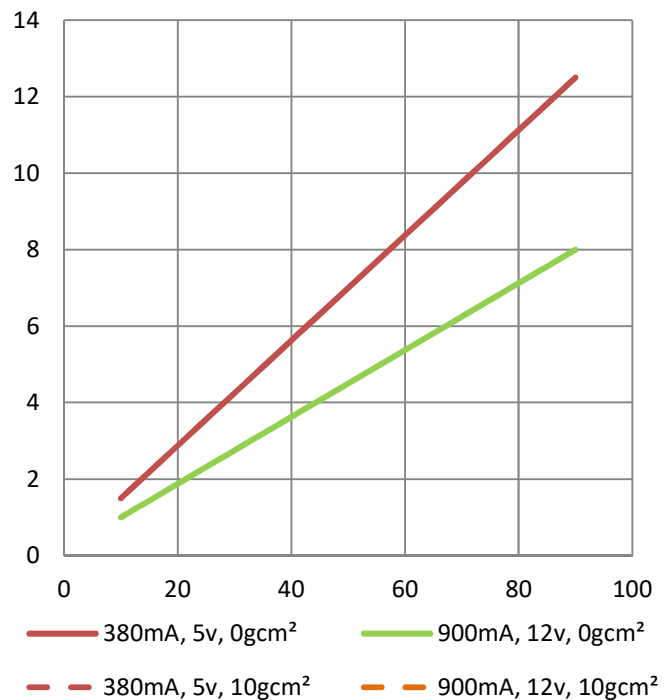
Shaft drives clockwise from position shown with positive voltage applied to Red lead



**Torque (mNm) vs Angle**



**Response (ms) vs Angle**



Geeplus reserves the right to change specifications without notice

[www.geeplus.biz](http://www.geeplus.biz) e-mail: [info@geeplus.biz](mailto:info@geeplus.biz)